

Dot laser, red, 650 nm, 0.4 mW

DC650-0.4-4.5(14x64)-S-AP
Order Number: 70121889

Main Parameters (*)	min	typ	max	Unit
Wavelength		650		nm
Optical Output Power	0.3	0.4	0.4	mW
Operating Voltage		4.5		V DC
Operating Current	15	20	30	mA
Operating Temperature	-20		50	°C
Storage Temperature	-40		80	°C

Main Data

Warranty 1 years

Technical Parameters

Lifetime >5,000 h
RoHS yes

Optical Parameters

Beam Shape Dot
Laser Class 1
Divergence C - 0.4 mrad
Beam Diameter 3 mm
Size of Laserdot <3mm@5m
Operating Distance 5 m
Optics glass lens AR coated
Laser technology Single Mode Diode
Axial Divergence ±0.6°
Focus fixed (5.0m)

Electrical Parameters

Potential of Housing VDD(+)
Battery LR44/AG13 alkaline battery, 1.5V
Battery count 3

Mechanical Parameters

Size Ø14x64 mm
Material aluminium
Output Aperture 3.5 mm
Housing Color black
Weight 21 g

(*) Over the complete operating temperature range

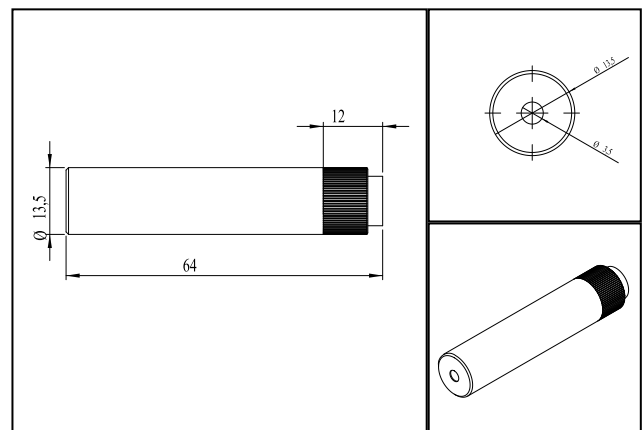
Features



Picture



Drawing



Safety Label



Valid Revision

| 05-JUL-2024