

Dot laser, red, 650 nm, 0.4 mW

DC650-0.4-3(8x25)
Order Number: 70114843

Main Parameters (*)	min	typ	max	Unit
Wavelength		650		nm
Optical Output Power		0.4		mW
Operating Voltage	2.7	3	3.3	V DC
Operating Current	10	18	30	mA
Operating Temperature	-20		50	°C
Storage Temperature	-40		80	°C

Main Data

Warranty 1 years

Technical Parameters

Lifetime > 5,000 h
RoHS yes

Optical Parameters

Beam Shape Dot
Laser Class 1
Divergence C - 0.4 mrad
Size of Laserdot adjustable
Operating Distance 5 m
Optics glass lens AR coated
Laser technology Single Mode Diode
Focus adjustable

Electrical Parameters

Potential of Housing isolated
Power Supply Power Supply with stripped/tinned wires, Output: 3.3V DC, Input: 100-240V AC, 50-60Hz, Output Power: 3.3W max.

Mechanical Parameters

Size Ø8x25 mm
Material aluminium
Cable length 100 mm
Wire type 26AWG, 0,14mm²
Output Aperture 3.5 mm
Housing Color black
Weight 3.5 g
Stripping of wire 5 mm

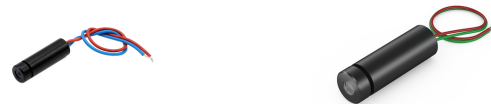
(*) Over the complete operating temperature range

Features



- Operating Voltage 3V DC
- Laser Class 1
- Low power consumption
- Compact size
- Adjustable focus

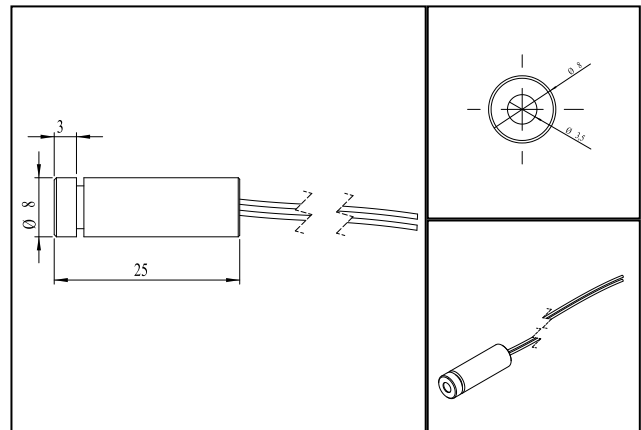
Picture



Cable color

Ground  blue GND
Positive  red 2.7 - 3.3, typ 3 V DC

Drawing



Safety Label



Valid Revision

4 | 17-MAY-2022