

## Dot laser, red, 650 nm, 0.4 mW

DC650-0.4-3(8x25)-C1000  
Order Number: 70142143

Main Parameters (*)	min	typ	max	Unit
Wavelength		650		nm
Optical Output Power		0.4		mW
Operating Voltage	2.7	3	3.3	V DC
Operating Current	10	18	30	mA
Operating Temperature	-20		50	°C
Storage Temperature	-40		80	°C

### Main Data

Warranty 1 years

### Technical Parameters

Lifetime >5,000 h  
RoHS yes

### Optical Parameters

Beam Shape Dot  
Laser Class 1  
Divergence C - 0.4 mrad  
Size of Laserdot <1mm@1m  
Operating Distance 5m  
Optics glass lens AR coated  
Laser technology Single Mode Diode  
Focus adjustable

### Electrical Parameters

Potential of Housing isolated  
Power Supply Power Supply with stripped/tinned wires, Output: 3.3V DC, Input: 100-240V AC, 50-60Hz, Output Power: 3.3W max.

### Mechanical Parameters

Size Ø8x25 mm  
Material aluminium  
Cable length 1,000 mm  
Wire type 24AWG, black, 3mm  
Output Aperture 3.5 mm  
Housing Color black  
Weight 3.5 g  
Stripping of wire 5 mm

(\*) Over the complete operating temperature range

## Features



- Operating Voltage 3V DC
- Laser Class 1
- Low power consumption
- Compact size
- Adjustable focus

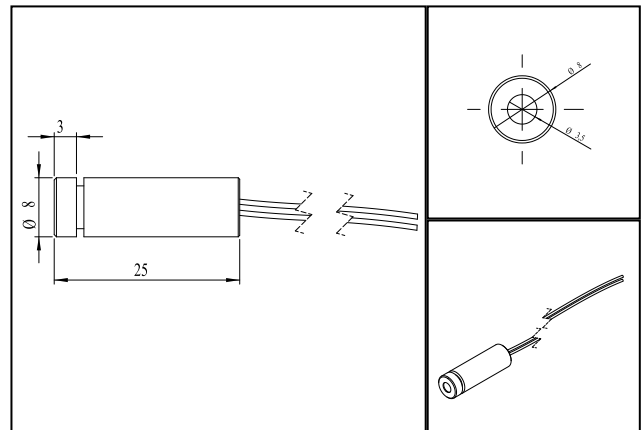
## Picture



## Cable color

Ground  blue GND  
Positive  brown 2.7 - 3.3, typ 3 V DC

## Drawing



## Safety Label



## Valid Revision

| 21-APR-2021