

## Dot laser, red, 635 nm, 2.2 mW

DC635-2.2-3(8x25)  
Order Number: 70100112

Main Parameters (*)	min	typ	max	Unit
Wavelength		635		nm
Optical Output Power		2.2		mW
Operating Voltage	2.7	3	3.3	V DC
Operating Current	25	45	70	mA
Operating Temperature	-20		50	°C
Storage Temperature	-40		80	°C

### Main Data

Warranty 1 years

### Technical Parameters

Lifetime	> 5,000 h
RoHS	yes

### Optical Parameters

Beam Shape	Dot
Laser Class	3R
Divergence	C - 0.4 mrad
Size of Laserdot	adjustable
Operating Distance	20 m
Optics	glass lens AR coated
Laser technology	diode
Focus	adjustable

### Electrical Parameters

Potential of Housing	isolated
Power Supply	Power Supply with stripped/tinned wires, Output: 3.3V DC, Input: 100-240V AC, 50-60Hz, Output Power: 3.3W max.

### Mechanical Parameters

Size	Ø8x25 mm
Material	aluminium
Cable length	100 mm
Output Aperture	3.5 mm
Weight	3g

(\*) Over the complete operating temperature range

### Features



- Operating Voltage 3V DC
- Laser Class 3R
- Adjustable focus
- Low power consumption
- Compact size

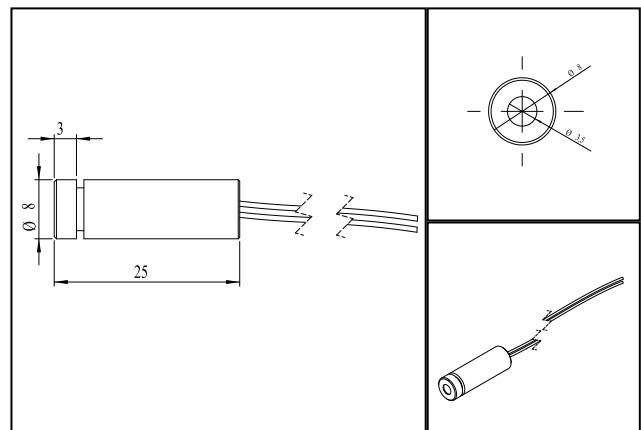
### Picture



### Cable color

Ground		blue	GND
Positive		red	2.7 - 3.3, typ 3 V DC

### Drawing



### Safety Label



### Valid Revision

5 | 21-JUL-2010