

## Dot laser, red, 670 nm, 3 mW

DB670-3-3(16x45)  
Order Number: 70101195

Main Parameters (*)	min	typ	max	Unit
Wavelength		670		nm
Optical Output Power		3		mW
Operating Voltage	2.7	3	3.3	V DC
Operating Current	25	45	70	mA
Operating Temperature	-20		50	°C
Storage Temperature	-40		80	°C

### Main Data

Warranty 1 years

### Technical Parameters

Lifetime > 5,000 h  
RoHS yes

### Optical Parameters

Beam Shape Dot  
Laser Class 3R  
Divergence B - 0.3 mrad  
Size of Laserdot adjustable  
Operating Distance 30 m  
Optics glass lens AR coated  
Laser technology diode  
Focus adjustable

### Electrical Parameters

Potential of Housing isolated  
Power Supply Power Supply with stripped/tinned wires, Output: 3.3V DC, Input: 100-240V AC, 50-60Hz, Output Power: 3.3W max.

### Mechanical Parameters

Size Ø16x45 mm  
Material aluminium  
Cable length 100 mm  
Wire type 26AWG, 0,14mm<sup>2</sup>  
Output Aperture 8 mm  
Weight 23 g

(\*) Over the complete operating temperature range

### Features



- Operating Voltage 3V DC
- Laser Class 3R
- Glas lenses anti reflex coated
- Adjustable focus
- Compact size

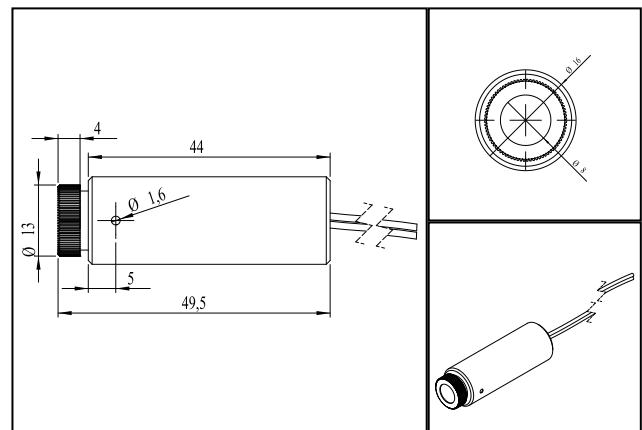
### Picture



### Cable color

Ground		black	GND
Positive		red	2.7 - 3.3, typ 3 V DC

### Drawing



### Safety Label



### Valid Revision

1 | 01-APR-2011