

Dot laser, red, 635 nm, 1 mW

DB635-1-3-FA(14x45)-F50-AP
Order Number: 70109481

Main Parameters (*)	min	typ	max	Unit
Wavelength		635		nm
Optical Output Power		1		mW
Operating Voltage	2.7	3	3.3	V DC
Operating Current	20	40	60	mA
Operating Temperature	-20		50	°C
Storage Temperature	-40		80	°C

Main Data

Warranty 1 years

Technical Parameters

Lifetime > 5,000 h
RoHS yes

Optical Parameters

Beam Shape Dot
Laser Class 2
Divergence B - 0.3 mrad
Size of Laserdot < 0.3 mm @ 0.05 m
Operating Distance 0.05 m
Optics glass lens AR coated
Laser technology Single Mode Diode
Focus fixed (50 mm)

Electrical Parameters

Potential of Housing isolated
Power Supply Power Supply with stripped/tinned wires, Output: 3.3V DC, Input: 100-240V AC, 50-60Hz, Output Power: 3.3W max.

Mechanical Parameters

Size Ø14x45 mm
Material aluminium
Cable length 100 mm
Wire type 26AWG, 0,14mm²
Output Aperture 9.5 mm
Housing Color silver
Weight 16 g
Stripping of wire 5 mm

(*) Over the complete operating temperature range

Features



- Operating Voltage 3V DC
- Laser Class 2
- Fixed focus
- Axial parallel
- Glas lenses anti reflex coated

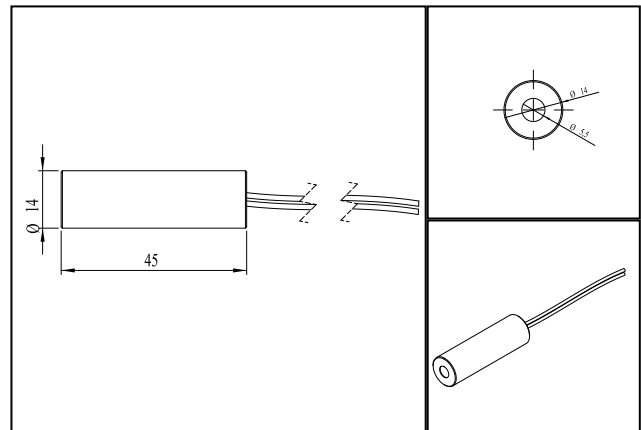
Picture



Cable color

Ground  black GND
Positive  red 2.7 - 3.3, typ 3 V DC

Drawing



Safety Label



Valid Revision

3 | 09-JAN-2018