

## Dot laser, infrared, 980 nm, 20 mW

DA980-20-3(22x70)  
Order Number: 70101379



### Picture



Main Parameters (*)	min	typ	max	Unit
Wavelength		980		nm
Optical Output Power		20		mW
Operating Voltage	2.7	3	3.3	V DC
Operating Current	70	100	150	mA
Operating Temperature	-20		50	°C
Storage Temperature	-40		80	°C

### Main Data

Warranty 1 years

### Technical Parameters

Lifetime >5,000 h  
RoHS yes

### Optical Parameters

Beam Shape Dot  
Laser Class 3B  
Divergence 0.2 mrad  
Operating Distance 300 m  
Optics glass lens AR coated  
Laser technology diode  
Focus collimated

### Electrical Parameters

Potential of Housing isolated  
Power Supply Power Supply with stripped/tinned wires, Output: 3.3V DC, Input: 100-240V AC, 50-60Hz, Output Power: 3.3W max.

### Mechanical Parameters

Size Ø22x70 mm  
Material aluminium  
Cable length 100 mm  
Wire type 26AWG, 0,14mm<sup>2</sup>  
Housing Color black  
Weight 96 g

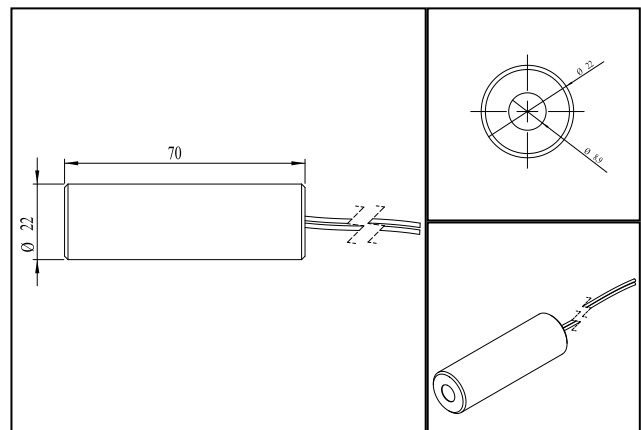
(\*) Over the complete operating temperature range

### Features

### Cable color

Ground  black GND  
Positive  red 2.7 - 3.3, typ 3 V DC

### Drawing



### Safety Label



### Valid Revision

4 | 10-JAN-2018