

Dot laser, infrared, 850 nm, 8 mW

DA850-8-3(11x60)
Order Number: 70114829

Main Parameters (*)	min	typ	max	Unit
Wavelength		850		nm
Optical Output Power		8		mW
Operating Voltage	2.7	3	3.3	V DC
Operating Current	25	50	75	mA
Operating Temperature	-20		50	°C
Storage Temperature	-40		80	°C

Main Data

Warranty 1 years

Technical Parameters

Lifetime > 5,000 h
RoHS yes

Optical Parameters

Beam Shape Dot
Laser Class 3B
Divergence A - 0.1 mrad
Beam Diameter 8 mm
Size of Laserdot <9.5mm@40m
Operating Distance 500 m
Optics glass lens AR coated
Laser technology diode
Focus collimated

Electrical Parameters

Potential of Housing isolated
Power Supply Power Supply with stripped/tinned wires, Output: 3.3V DC, Input: 100-240V AC, 50-60Hz, Output Power: 3.3W max.

Mechanical Parameters

Size Ø11x60 mm
Material Brass
Cable length 100 mm
Wire type 26AWG, 0,14mm²
Output Aperture 8 mm
Weight 22 g

(*) Over the complete operating temperature range

Features



- Operating Voltage 3V DC
- Laser Class 3B
- Compact size
- Fixed focus
- Low power consumption

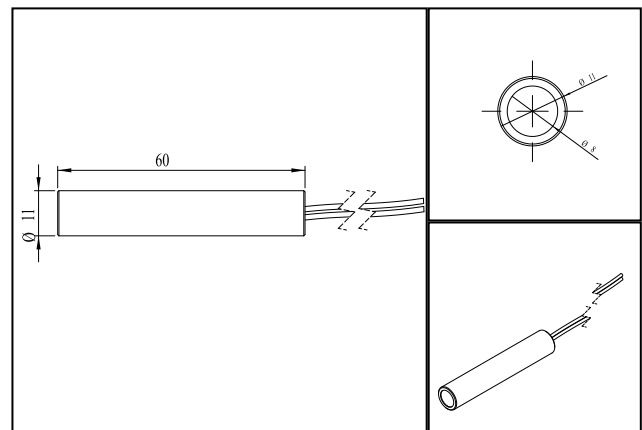
Picture



Cable color

Ground		black	GND
Positive		red	2.7 - 3.3, typ 3 V DC

Drawing



Safety Label



Valid Revision

| 11-JAN-2012