

Dot laser, red, 670nm, 1mW

DA670-1-3(11x60)

Order Number: 70100228

Main Parameters (*)	min	typ	max	Unit
Wavelength		670		nm
Optical Output Power		1		mW
Operating Voltage	2.7	3	3.3	V DC
Operating Current	20	30	45	mA
Operating Temperature	-20		50	°C
Storage Temperature	-40		80	°C

Technical Parameters

Lifetime	>5000h
RoHS	yes

Optical Parameters

Beam Shape	Dot
Laser Class	2
Divergence	0.2mrad
Beam Diameter	8mm
Size of Laserdot	<4mm@10m
Operating Distance	50m
Optics	glass lens AR coated
Laser technology	Single Mode Diode
Focus	collimated

Electrical Parameters

Potential of Housing	isolated
Power Supply	LFNT-3

Mechanical Parameters

Size	Ø11x60mm
Material	Brass
Cable length	100mm
Wire type	26AWG, 0,14mm ²
Output Aperture	8mm
Housing Color	black
Weight	24g
Stripping of wire	5mm

(*) Over the complete operating temperature range

Features




- Operating Voltage 3V DC
- Uniform illumination
- Glas lenses anti reflex coated
- Laser Class 2
- Image processing

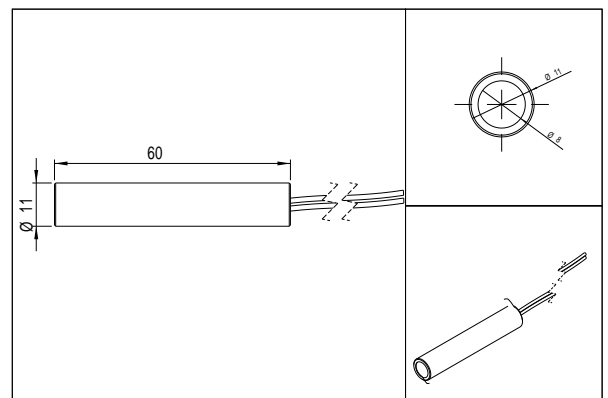
Picture



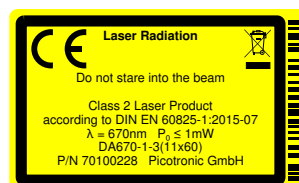
Cable Colors

Ground		black	GND
Positive		red	2.7 - 3.3, typ 3V DC

Drawing



Safety Label



Revision

REV 6 | 06-JUL-2015