

Dot laser, red, 670 nm, 1 mW

DA670-1-3(11x60)
Order Number: 70100228

Main Parameters (*)	min	typ	max	Unit
Wavelength		670		nm
Optical Output Power		1		mW
Operating Voltage	2.7	3	3.3	V DC
Operating Current	20	30	45	mA
Operating Temperature	-20		50	°C
Storage Temperature	-40		80	°C

Main Data

Warranty 1 years

Technical Parameters

Lifetime > 5,000 h
RoHS yes

Optical Parameters

Beam Shape Dot
Laser Class 2
Divergence 0.2 mrad
Beam Diameter 8 mm
Size of Laserdot <4mm@10m
Operating Distance 50 m
Optics glass lens AR coated
Laser technology Single Mode Diode
Focus collimated

Electrical Parameters

Potential of Housing isolated
Power Supply Power Supply with stripped/tinned wires, Output: 3.3V DC, Input: 100-240V AC, 50-60Hz, Output Power: 3.3W max.

Mechanical Parameters

Size Ø11x60 mm
Material Brass
Cable length 100 mm
Wire type 26AWG, 0,14mm²
Output Aperture 8 mm
Housing Color black
Weight 24 g
Stripping of wire 5 mm

(*) Over the complete operating temperature range

Features



- Operating Voltage 3V DC
- Uniform illumination
- Glas lenses anti reflex coated
- Laser Class 2
- Image processing

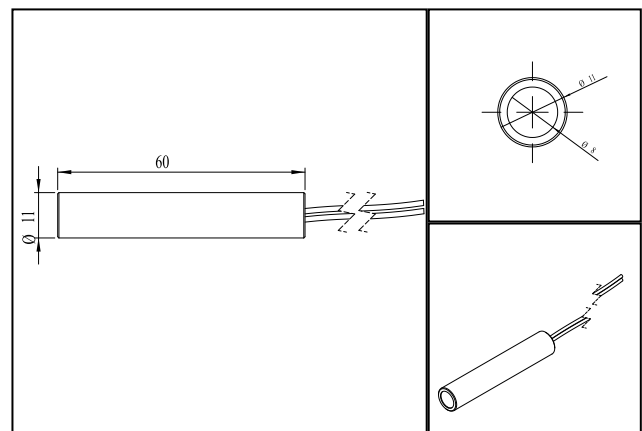
Picture



Cable color

Ground		black	GND
Positive		red	2.7 - 3.3, typ 3 V DC

Drawing



Safety Label



Valid Revision

6 | 26-JUN-2020