

Dot laser, red, 650 nm, 1 mW

DA650-1-5(11x60)
Order Number: 70110517

Main Parameters (*)	min	typ	max	Unit
Wavelength		650		nm
Optical Output Power		1		mW
Operating Voltage	4.5	5	5.5	V DC
Operating Current	20	40	55	mA
Operating Temperature	-20		50	°C
Storage Temperature	-40		80	°C

Main Data

Warranty 1 years

Technical Parameters

Lifetime > 5,000 h
RoHS yes

Optical Parameters

Beam Shape Dot
Laser Class 2
Divergence A - 0.1 mrad
Beam Diameter 8 mm
Size of Laserdot <9.5mm@40m
Operating Distance 50 m
Optics glass lens AR coated
Laser technology Single Mode Diode
Focus collimated

Electrical Parameters

Potential of Housing isolated

Mechanical Parameters

Size Ø11x60 mm
Material Brass
Cable length 100 mm
Wire type 26AWG, 0,14mm²
Output Aperture 8 mm
Housing Color black
Weight 22.5 g
Stripping of wire 5 mm

(*) Over the complete operating temperature range

Features



- Round Beamprofile
- For image processing
- Operating Voltage 5V DC
- Low current

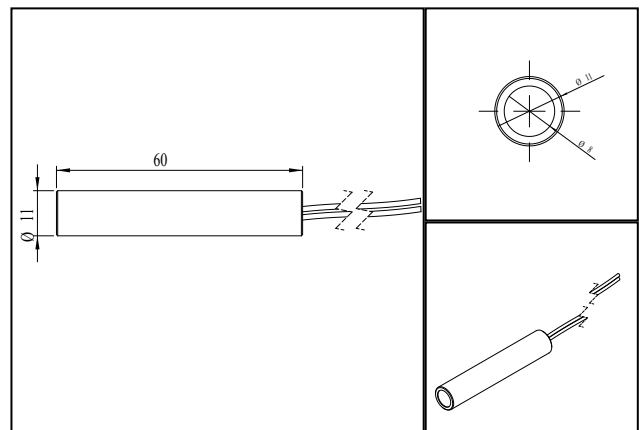
Picture



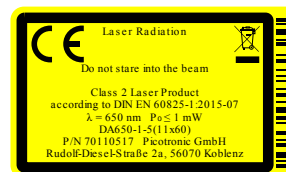
Cable color

Ground		black	GND
Positive		red	4.5 - 5.5, typ 5 V DC

Drawing



Safety Label



Valid Revision

5 | 22-MAR-2013