

## Dot laser, red, 650nm, 1mW

DA650-1-3(11x60)

Order Number: 70100051

Main Parameters (*)	min	typ	max	Unit
Wavelength		650		nm
Optical Output Power		1		mW
Operating Voltage	2.7	3	3.3	V DC
Operating Current	15	25	40	mA
Operating Temperature	-20		50	°C
Storage Temperature	-40		80	°C

### Technical Parameters

Lifetime	>5000h
RoHS	yes

### Optical Parameters

Beam Shape	Dot
Laser Class	2
Divergence	0.2mrad
Beam Diameter	8mm
Size of Laserdot	<9.5mm@40m
Operating Distance	100m
Optics	glass lens AR coated
Laser technology	Single Mode Diode
Focus	collimated

### Electrical Parameters

Potential of Housing	VDD(+)
Power Supply	LFNT-3

### Mechanical Parameters

Size	Ø11x60mm
Material	Brass
Cable length	100mm
Wire type	Belden, Typ 1007, 26AWG
Output Aperture	8mm
Housing Color	black
Weight	22g
Stripping of wire	5mm

(\*) Over the complete operating temperature range

### Features




- Operating Voltage 3V DC
- Laser Class 2
- Compact size
- Fixed focus
- Low power consumption

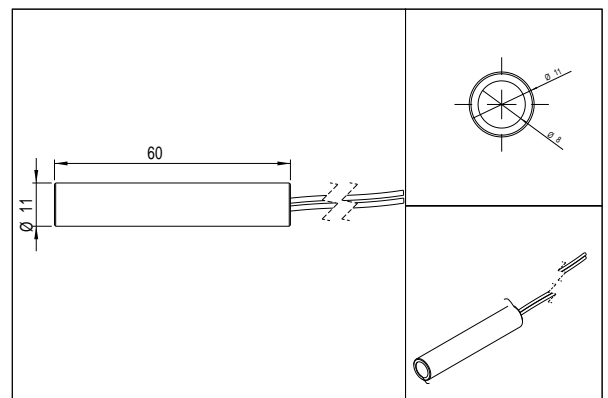
### Picture



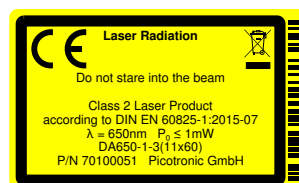
### Cable Colors

Ground		black	GND
Positive		red	2.7 - 3.3, typ 3V DC

### Drawing



### Safety Label



### Revision

REV 4 | 24-JUN-2016