

Dot laser, red, 635 nm, 2 mW

DA635-2-3(11x60)
Order Number: 70100648

Main Parameters (*)	min	typ	max	Unit
Wavelength		635		nm
Optical Output Power		2		mW
Operating Voltage	2.7	3	3.3	V DC
Operating Current	25	50	75	mA
Operating Temperature	-20		50	°C
Storage Temperature	-40		80	°C

Main Data

Warranty 1 years

Technical Parameters

Lifetime	> 5,000 h
RoHS	yes

Optical Parameters

Beam Shape	Dot
Laser Class	3R
Divergence	0.2 mrad
Beam Diameter	8 mm
Size of Laserdot	<7mm@20m
Operating Distance	300 m
Optics	glass lens AR coated
Laser technology	diode
Focus	collimated

Electrical Parameters

Potential of Housing	isolated
Power Supply	Power Supply with stripped/tinned wires, Output: 3.3V DC, Input: 100-240V AC, 50-60Hz, Output Power: 3.3W max.

Mechanical Parameters

Size	Ø11x60 mm
Material	Brass
Cable length	100 mm
Wire type	26AWG, 0,14mm ²
Output Aperture	8 mm
Weight	23 g

(*) Over the complete operating temperature range

Features



- Operating Voltage 3V DC
- Glas lenses anti reflex coated
- Fixed focus
- Image processing
- Laser Class 3R

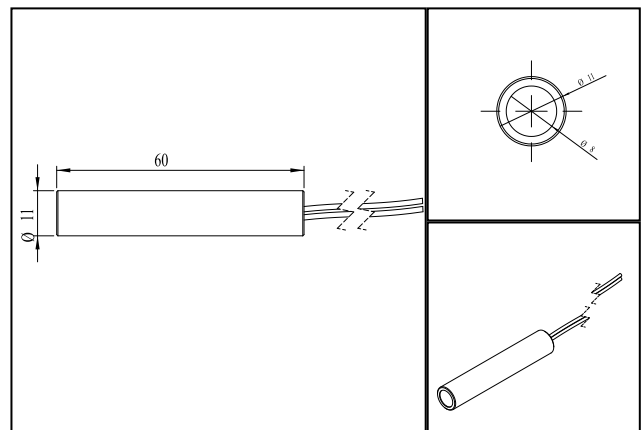
Picture



Cable color

Ground		black	GND
Positive		red	2.7 - 3.3, typ 3 V DC

Drawing



Safety Label



Valid Revision

4 | 11-JAN-2012