

## Dot laser, red, 635 nm, 2 mW

DA635-2-3(16x58)  
Order Number: 70100679

Main Parameters (*)	min	typ	max	Unit
Wavelength		635		nm
Optical Output Power		2		mW
Operating Voltage	2.7	3	3.3	V DC
Operating Current	35	65	100	mA
Operating Temperature	-20		50	°C
Storage Temperature	-40		80	°C

### Main Data

Warranty 1 years

### Technical Parameters

Lifetime > 5,000 h  
RoHS yes

### Optical Parameters

Beam Shape Dot  
Laser Class 3R  
Divergence 0.2 mrad  
Beam Diameter 9 mm  
Size of Laserdot <4mm@10m  
Operating Distance 150 m  
Optics glass lens AR coated  
Laser technology diode  
Focus collimated

### Electrical Parameters

Potential of Housing isolated  
Power Supply Power Supply with stripped/tinned wires, Output: 3.3V DC, Input: 100-240V AC, 50-60Hz, Output Power: 3.3W max.

### Mechanical Parameters

Size Ø16x58 mm  
Material Stainless Steel  
Cable length 100 mm  
Wire type 26AWG, 0,14mm<sup>2</sup>  
Output Aperture 9 mm  
Weight 62 g

(\*) Over the complete operating temperature range

### Features



- Operating Voltage 3V DC
- Laser Class 3R
- Glas lenses anti reflex coated
- Compact size
- Fixed focus

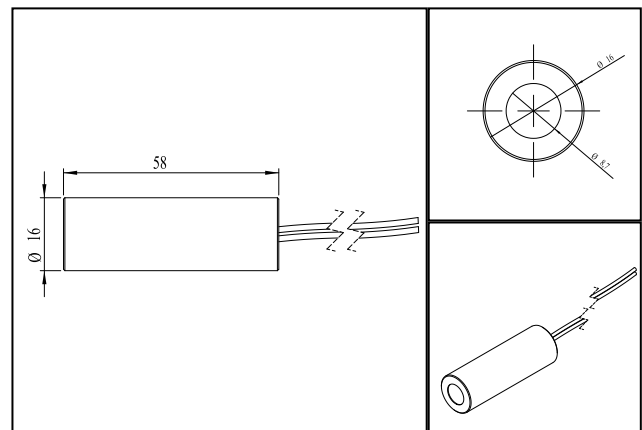
### Picture



### Cable color

Ground		black	GND
Positive		red	2.7 - 3.3, typ 3 V DC

### Drawing



### Safety Label



### Valid Revision

6 | 11-JAN-2012