

## Dot laser, red, 635 nm, 1 mW

DA635-1-3(11x60)  
Order Number: 70100211

Main Parameters (*)	min	typ	max	Unit
Wavelength		635		nm
Optical Output Power		1		mW
Operating Voltage	2.7	3	3.3	V DC
Operating Current	20	30	50	mA
Operating Temperature	-20		50	°C
Storage Temperature	-40		80	°C

### Main Data

Warranty 1 years

### Technical Parameters

Lifetime > 5,000 h  
RoHS yes

### Optical Parameters

Beam Shape Dot  
Laser Class 2  
Divergence 0.2 mrad  
Beam Diameter 8 mm  
Size of Laserdot < 9.5 mm @ 40 m  
Operating Distance 100 m  
Optics glass lens AR coated  
Laser technology Single Mode Diode  
Focus collimated

### Electrical Parameters

Potential of Housing isolated  
Power Supply Power Supply with stripped/tinned wires, Output: 3.3V DC, Input: 100-240V AC, 50-60Hz, Output Power: 3.3W max.

### Mechanical Parameters

Size Ø11x60 mm  
Material Brass  
Cable length 100 mm  
Wire type Belden, Typ 1007, 26AWG  
Output Aperture 8 mm  
Housing Color black  
Weight 22 g  
Stripping of wire 5 mm

(\*) Over the complete operating temperature range

## Features



- Operating Voltage 3V DC
- Glass lenses anti reflex coated
- Laser Class 2
- Fixed focus
- Compact size

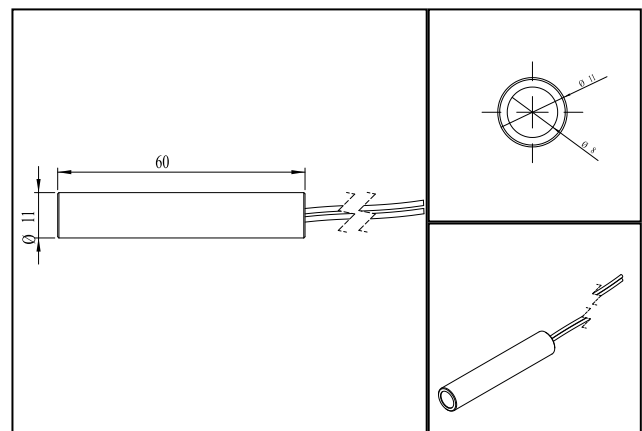
## Picture



## Cable color

Ground		black	GND
Positive		red	2.7 - 3.3, typ 3 V DC

## Drawing



## Safety Label



## Valid Revision

4 | 13-APR-2021