

Dot laser, red, 635 nm, 1 mW

DA635-1-3(11x60)-WP-C500
Order Number: 70146950

Main Parameters (*)	min	typ	max	Unit
Wavelength		635		nm
Optical Output Power		1		mW
Operating Voltage	2.7	3	3.3	V DC
Operating Current	20	30	50	mA
Operating Temperature	-20		50	°C
Storage Temperature	-40		80	°C

Main Data

Warranty 1 years

Technical Parameters

Lifetime > 5,000 h
RoHS yes

Optical Parameters

Beam Shape	Dot
Laser Class	2
Divergence	0.2 mrad
Beam Diameter	8 mm
Size of Laserdot	<9.5mm@40m
Operating Distance	100 m
Optics	glass lens AR coated
Laser technology	Single Mode Diode
Protection Lens	yes
Focus	collimated

Electrical Parameters

Potential of Housing	isolated
Power Supply	Power Supply with stripped/tinned wires, Output: 3.3V DC, Input: 100-240V AC, 50-60Hz, Output Power: 3.3W max.

Mechanical Parameters

Size	Ø11x60 mm
Material	Brass
Cable length	500 mm
Wire type	24AWG, black, 3mm
Output Aperture	8 mm
Housing Color	black
Weight	22 g
Stripping of wire	5 mm

(*) Over the complete operating temperature range

Features



- Operating Voltage 3V DC
- Glas lenses anti reflex coated
- Laser Class 2
- Fixed focus
- Compact size

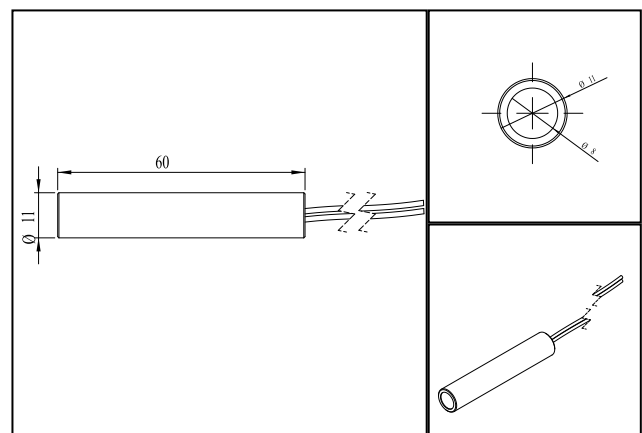
Picture



Cable color

Ground		black	GND
Positive		red	2.7 - 3.3, typ 3 V DC

Drawing



Safety Label



Valid Revision

| 03-MAR-2021