

## Dot laser, green, 532 nm, 15 mW

DA532-15-5-F(22x80)  
Order Number: 70109122

Main Parameters (*)	min	typ	max	Unit
Wavelength		532		nm
Optical Output Power		15		mW
Operating Voltage	4.5	5	5.5	V DC
Operating Current	125	250	375	mA
Operating Temperature	15		30	°C
Storage Temperature	-40		80	°C

### Main Data

Warranty 1 years

### Technical Parameters

Lifetime > 5,000 h  
RoHS yes

### Optical Parameters

Beam Shape Dot  
Laser Class 3B  
Divergence A - 0.1 mrad  
Size of Laserdot adjustable  
Operating Distance 250 m  
Optics glass lens AR coated  
Beam Mode TEM00  
Laser technology YVO4+KTP  
Stability +/- 20% @ 15-30°C  
Focus adjustable  
Warm up time < 15 min

### Electrical Parameters

Potential of Housing isolated  
Power Supply Power Supply with stripped/tinned wires, Output: 5V DC, Input: 100-240V AC, 50-60Hz, Output Power: 3W max.

### Mechanical Parameters

Size Ø22x80 mm  
Material aluminium  
Cable length 100 mm  
Output Aperture 5 mm  
Housing Color black  
Weight 68 g

(\*) Over the complete operating temperature range

### Features



- Operating Voltage 5V DC
- Laser Class 3B
- Adjustable focus
- Compact size
- Glas lenses anti reflex coated

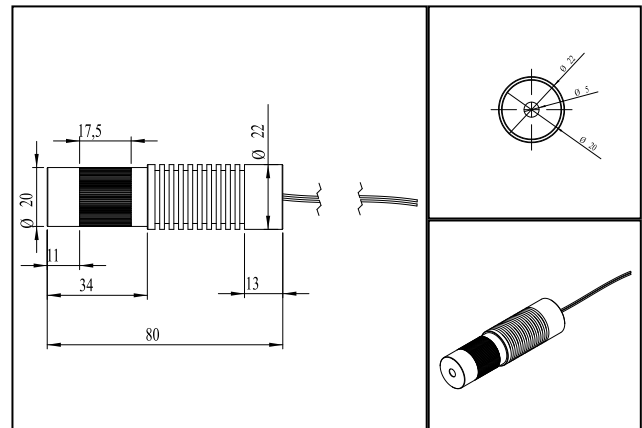
### Picture



### Cable color

Ground  blue GND  
Positive  red 4.5 - 5.5, typ 5 V DC

### Drawing



### Safety Label



### Valid Revision

3 | 14-DEC-2018