

Dot laser, green, 520 nm, 10 mW

DA520-10-5(20x80)-POTI
Order Number: 70122107

Main Parameters (*)	min	typ	max	Unit
Wavelength	515	520	525	nm
Optical Output Power	0	10	10	mW
Operating Voltage	4.5	5	5.5	V DC
Operating Current	150	375	450	mA
Operating Temperature	-10		60	°C
Storage Temperature	-40		80	°C

Main Data

Warranty 1 years

Technical Parameters

Lifetime >6,000 h
RoHS yes

Optical Parameters

Beam Shape	Dot
Laser Class	3B
Divergence	A - 0.1 mrad
Size of Laserdot	<10mm@100m
Operating Distance	100 m
Optics	glass lens AR coated
Laser technology	Single Mode Diode
Focus	collimated
internal modulation frequency	1 kHz

Electrical Parameters

Potential of Housing	isolated
Power Supply	Power Supply with stripped/tinned wires, Output: 5V DC, Input: 100-240V AC, 50-60Hz, Output Power: 3W max.

Mechanical Parameters

Size	Ø20x80 mm
Material	aluminium
Cable length	100 mm
Wire type	Belden, Typ 1007, 26AWG
Output Aperture	8 mm
Housing Color	black
Weight	20 g
Stripping of wire	5 mm

(*) Over the complete operating temperature range

Features



- Operating Voltage 5V DC
- Adjustable output power
- Laser Class 2
- Compact size
- Modulated

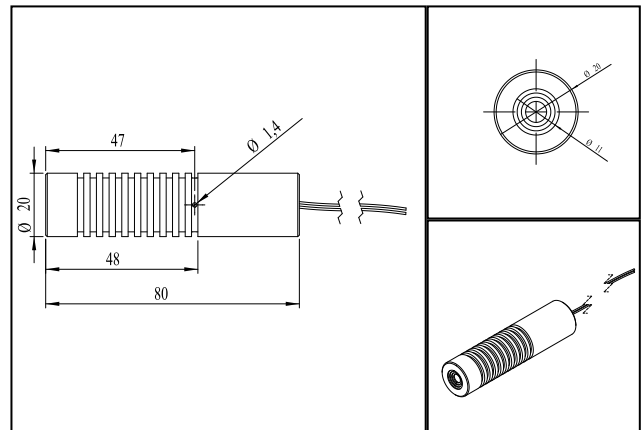
Picture



Cable color

Ground		black	GND
Positive		red	4.5 - 5.5, typ 5 V DC

Drawing



Safety Label



Valid Revision

| 21-FEB-2019