

Dot laser, green, 520 nm, 1 mW

DA520-1-24(20x80)-QCW
Order Number: 70124507

Main Parameters (*)	min	typ	max	Unit
Wavelength	515	520	525	nm
Optical Output Power		1		mW
Operating Voltage	23.6	24	24.4	V DC
Operating Current	10	50	150	mA
Operating Temperature	-10		60	°C
Storage Temperature	-40		80	°C

Main Data

Warranty 1 years

Technical Parameters

Lifetime >6,000 h
RoHS yes

Optical Parameters

Beam Shape Dot
Laser Class 2
Divergence A - 0.1 mrad
Size of Laserdot <10mm@40m
Operating Distance 100 m
Optics glass lens AR coated
Laser technology Single Mode Diode
Focus collimated
internal modulation frequency 1 kHz

Electrical Parameters

Potential of Housing isolated

Mechanical Parameters

Size Ø20x80 mm
Material aluminium
Cable length 200 mm
Wire type Belden, Typ 1007, 26AWG
Output Aperture 8 mm
Housing Color black
Weight 20 g
Protection Class IP54
Stripping of wire 5 mm

(*) Over the complete operating temperature range

Features





- Operating volatage 24 V DC
- Laser class 2
- Compact size
- Low divergence
- Direct green

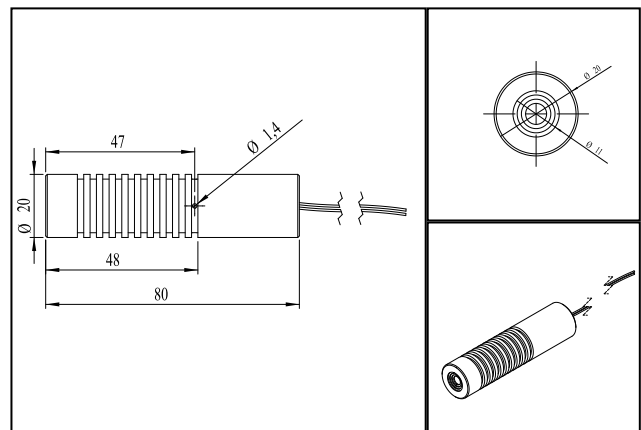
Picture



Cable color

Ground		black	GND
Positive		red	23.6 - 24.4, typ 24 V DC

Drawing



Safety Label



Valid Revision

| 22-JUL-2020