

Dot laser, red, 650 nm, 0.1 mW

CSDI650-0.1-5(8x21)-F100
Order Number: 70103946

Main Parameters (*)	min	typ	max	Unit
Wavelength		650		nm
Optical Output Power		0.1		mW
Operating Voltage	4.5	5	5.5	V DC
Operating Current	20	40	60	mA
Operating Temperature	-20		50	°C
Storage Temperature	-40		80	°C

Main Data

Warranty 1 Jahre

Technical Parameters

Lifetime > 5,000 h
RoHS yes

Optical Parameters

Beam Shape	Dot
Laser Class	1
Divergence	1 - 1.5 mrad
Size of Laserdot	<0.3mm@0.1m
Operating Distance	0.1 m
Optics	glass lens AR coated
Laser technology	diode
Focus	fixed (100mm)

Electrical Parameters

Potential of Housing isolated
Power Supply LFNT-5

Mechanical Parameters

Size	Ø8x21 mm
Material	aluminium
Cable length	100 mm
Output Aperture	2.5 mm
Housing Color	black
Weight	2.5 g

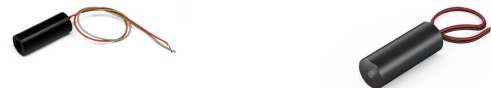
(*) Over the complete operating temperature range

Features



- Operating Voltage 5 V DC
- Laser Class 1
- Compact size
- Fixed focus
- Image processing

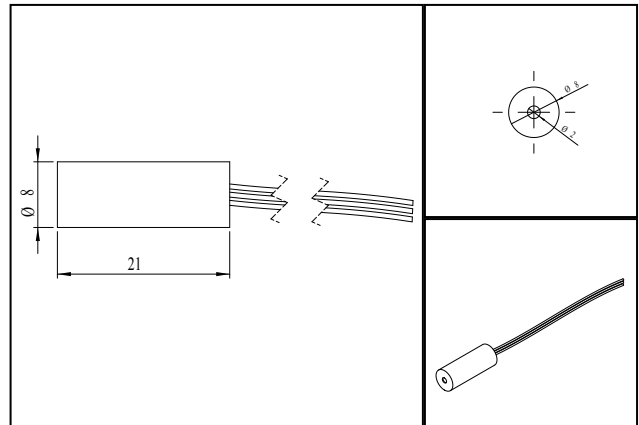
Picture



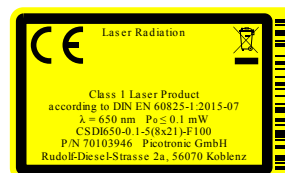
Cable color

Ground		blue	GND
positive		red	4.5 - 5.5, typ 5 V DC

Drawing



Safety Label



Valid Revision

5 | 12-AUG-2021