

Line laser, red, 650 nm, 90°, 16 mW

COROGUARD-LASER-FLOOR-MARKING
Order Number: 70146790

Main Parameters (*)	min	typ	max	Unit
Wavelength		650		nm
Optical Output Power		16		mW
Operating Voltage	2.7	3	3.3	V DC
Operating Current		70		mA
Operating Temperature	-20		50	°C
Storage Temperature	-40		80	°C

Main Data

Warranty 1 years

Technical Parameters

Lifetime > 5,000 h

RoHS yes

Optical Parameters

Beam Shape Line

Laser Class 2

Divergence H - 1.0 mrad

Fan Angle 90°

Line Thickness <1mm@3m

Operating Distance 5 m

Optics glass lens AR coated

Laser technology diode

Focus fixed (3000mm)

Electrical Parameters

Potential of Housing VDD(+)

Connector 2.5 mm DC plug (GND pole inner)

Power Supply Power Supply with stripped/tinned wires, Output: 3.3V DC, Input: 100-240V AC, 50-60Hz, Output Power: 3.3W max.

Mechanical Parameters

Size Ø16x90 mm

Material aluminium

Cable length 1,400 mm

Output Aperture 5.5 mm

Weight 161 g

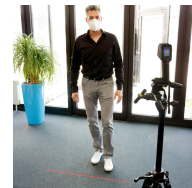
(*) Over the complete operating temperature range

Features

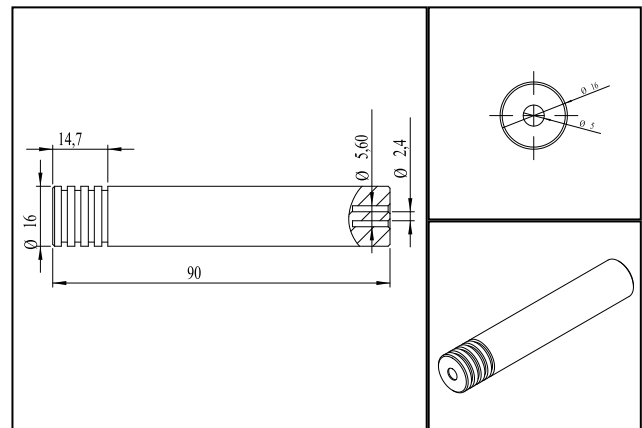


- Laser-floor marking
- Clear visible red line
- Easy installation
- Incl. power supply and laser bracket

Picture



Drawing



Safety Label



Valid Revision

| 30-APR-2020