

Cross laser, green, 520 nm, 90°, 30 mW

CE520-30-230(40x210)
Order Number: 70120752

Main Parameters (*)	min	typ	max	Unit
Wavelength	510	520	530	nm
Optical Output Power		30		mW
Operating Voltage	207	230	253	V AC
Operating Current	5	10	15	mA
Operating Temperature	-10		60	°C
Storage Temperature	-40		80	°C

Main Data

Warranty 1 years

Technical Parameters

Lifetime >6,000 h

RoHS yes

Optical Parameters

Beam Shape Cross

Laser Class 2M

Divergence E - 0.6 mrad

Fan Angle 90°

Line Thickness <3mm@7m

Operating Distance 25 m

Optics glass lens AR coated

Beam Mode TEM00

Laser technology Single Mode Diode

Stability +/- 5% @ -10-45°C

Focus fixed (7.0m)

Electrical Parameters

Potential of Housing isolated

Connector AC CEE 7/7

Mechanical Parameters

Size Ø40x210 mm

Material aluminium

Cable length 1,750 mm

Wire type H05VV-F

Output Aperture 8 mm

Housing Color silver

Weight 920 g

(*) Over the complete operating temperature range

Features

- Operating Voltage 230 V AC
- Glas lenses anti reflex coated
- Laser Class 2M
- High power
- Uniform line thickness

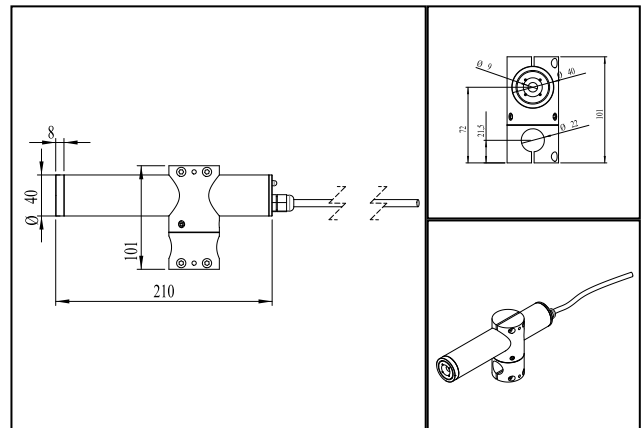
Picture



Montageplatte optional
Base Plate not included



Drawing



Safety Label



Valid Revision

| 07-NOV-2022