

## Cross laser, green, 532 nm, 90 °, 5 mW

CD532-5-3-F(20x80)  
Order Number: 70110616

Main Parameters (*)	min	typ	max	Unit
Wavelength		532		nm
Optical Output Power		5		mW
Operating Voltage	2.7	3	3.3	V DC
Operating Current	125	250	375	mA
Operating Temperature	15		30	°C
Storage Temperature	-40		80	°C

### Main Data

Warranty 1 Jahre

### Technical Parameters

Lifetime > 5,000 h  
RoHS yes

### Optical Parameters

Beam Shape	Cross
Laser Class	1
Divergence	D - 0.5 mrad
Fan Angle	90 °
Optics	glass lens AR coated
Beam Mode	TEM00
Laser technology	YVO4+KTP
Focus	adjustable
Warm up time	< 15 min
Verticality	< ± 0.5 °

### Electrical Parameters

Potential of Housing	isolated
Power Supply	LFNT-3

### Mechanical Parameters

Size	Ø20x80 mm
Material	aluminium
Cable length	100 mm
Output Aperture	5 mm
Weight	55 g

(\*) Over the complete operating temperature range

### Features



- Operating Voltage 3 V DC
- Adjustable focus
- Image processing
- Compact size
- Laser Class 1

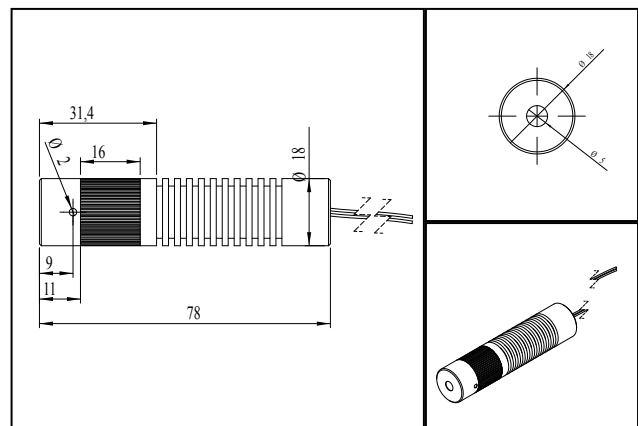
### Picture



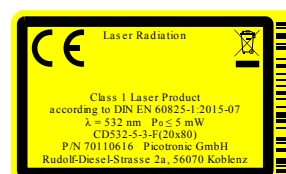
### Cable color

Ground		black	GND
positive		red	2.7 - 3.3, typ 3 V DC

### Drawing



### Safety Label



### Valid Revision

21 | 21-APR-2021