

## Cross laser, infrared, 850 nm, 10°, 15 mW

CB850-15-5(16x45)10DEG-F300-POTI  
Order Number: 70119732

Main Parameters (*)	min	typ	max	Unit
Wavelength		850		nm
Optical Output Power	1	15	15	mW
Operating Voltage		5		V DC
Operating Current	80	120	200	mA
Operating Temperature	-20		50	°C
Storage Temperature	-40		80	°C

### Main Data

Warranty 1 years

### Technical Parameters

Lifetime > 5,000 h  
RoHS yes

### Optical Parameters

Beam Shape	Cross
Laser Class	3R
Divergence	B - 0.3 mrad
Fan Angle	10°
Line Thickness	<0.5mm@0.3m
Operating Distance	0.3m
Optics	glass lens AR coated
Laser technology	diode
Protection Lens	no
Focus	fixed (300mm)
Verticality	< ±0.5°

### Electrical Parameters

Potential of Housing	isolated
Power Supply	Power Supply with stripped/tinned wires, Output: 5V DC, Input: 100-240V AC, 50-60Hz, Output Power: 3W max.

### Mechanical Parameters

Size	Ø16x45 mm
Material	aluminium
Cable length	100 mm
Wire type	26AWG, 0,14mm <sup>2</sup>
Output Aperture	6.8 mm
Housing Color	black
Weight	23.5 g
Stripping of wire	5 mm

(\*) Over the complete operating temperature range

### Features





- Operating Voltage 5V DC
- Laser Class 3R
- Fan angle 10°
- Uniform line thickness
- Fixed focus

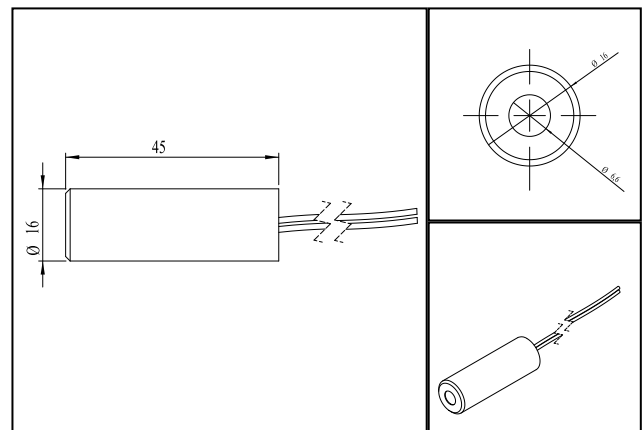
### Picture



### Cable color

Ground		black	GND
Positive		red	5 V DC

### Drawing



### Safety Label



### Valid Revision

| 22-JUL-2020