

Cross laser, infrared, 850 nm, 10°, 15 mW

CB850-15-5(16x45)10DEG-F160-POTI
Order Number: 70124026

Main Parameters (*)	min	typ	max	Unit
Wavelength		850		nm
Optical Output Power	1	15	15	mW
Operating Voltage		5		V DC
Operating Current	80	120	200	mA
Operating Temperature	-20		50	°C
Storage Temperature	-40		80	°C

Main Data

Warranty 1 years

Technical Parameters

Lifetime > 5,000 h
RoHS yes

Optical Parameters

Beam Shape	Cross
Laser Class	3R
Divergence	B - 0.3 mrad
Fan Angle	10°
Line Thickness	<0.5mm@0.160m
Operating Distance	0.16 m
Optics	glass lens AR coated
Laser technology	Single Mode Diode
Protection Lens	no
Focus	fixed (160mm)
Verticality	< ± 0.5°

Electrical Parameters

Potential of Housing	isolated
Power Supply	Power Supply with stripped/tinned wires, Output: 5V DC, Input: 100-240V AC, 50-60Hz, Output Power: 3W max.

Mechanical Parameters

Size	Ø16x45 mm
Material	aluminium
Cable length	100 mm
Wire type	26AWG, 0,14mm ²
Output Aperture	6.8 mm
Housing Color	black
Weight	23.5 g
Stripping of wire	5 mm

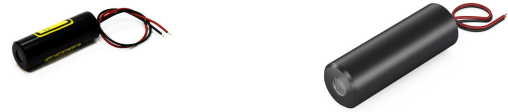
(*) Over the complete operating temperature range

Features





- Operating Voltage 5V DC
- Laser Class 3R
- Fan angle 10°
- Uniform line thickness
- Fixed focus

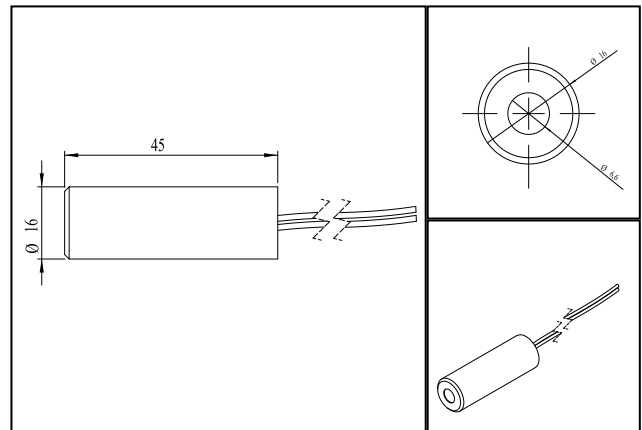
Picture



Cable color

Ground		black	GND
Positive		red	5 V DC

Drawing



Safety Label



Valid Revision

| 01-DEC-2023