

Cross laser, red, 650 nm, 90 °, 5 mW

CB650-5-3-F-S(22x110)
Order Number: 70107753

Main Parameters (*)	min	typ	max	Unit
Wavelength		650		nm
Optical Output Power		5		mW
Operating Voltage	2.7	3	3.3	V DC
Operating Current	6	30	50	mA
Operating Temperature	-20		50	°C
Storage Temperature	-40		80	°C

Stammdaten

Warranty 1 Jahre

Technical Parameters

Lifetime >5000 h
RoHS yes

Optical Parameters

Beam Shape	Cross
Laser Class	1
Divergence	B - 0.3 mrad
Fan Angle	90 °
Operating Distance	2 m
Optics	glass lens AR coated
Laser technology	Single Mode Diode
Focus	adjustable
Verticality	< ±0.5 °

Electrical Parameters

Potential of Housing VDD(+)

Mechanical Parameters

Size	Ø22x110 mm
Material	aluminium
Output Aperture	6 mm
Housing Color	black
Weight	88 g

(*) Over the complete operating temperature range

Features

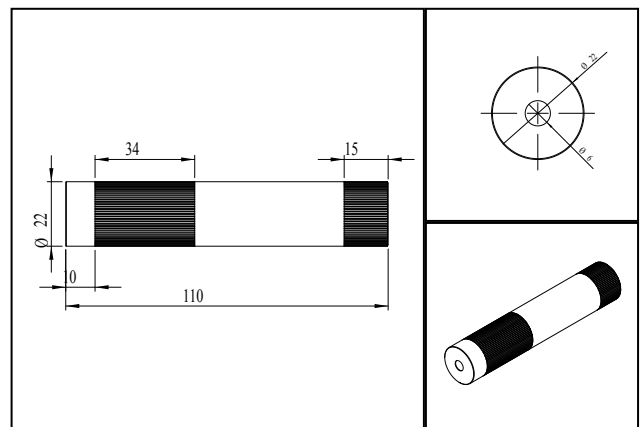


- Fan angle 90 °
- Laser Class 1
- With battery
- Low power consumption
- Adjustable focus

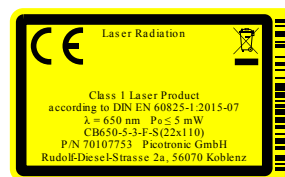
Picture



Drawing



safety label



Valid Revision

REV 10 | 14-DEC-2018