

## Cross laser, red, 635 nm, 90 °, 5 mW

CB635-5-6(16x45)-F500-PL-C1000  
Order Number: 70106763

Main Parameters (*)	min	typ	max	Unit
Wavelength		635		nm
Optical Output Power		5		mW
Operating Voltage	4.5	6	6.6	V DC
Operating Current	25	47	75	mA
Operating Temperature	-20		50	°C
Storage Temperature	-40		80	°C

### Main Data

Warranty	1 Jahre
----------	---------

### Technical Parameters

Lifetime	> 5,000 h
RoHS	yes

### Optical Parameters

Beam Shape	Cross
Laser Class	1
Divergence	B - 0.3 mrad
Fan Angle	90 °
Line Thickness	<0.5mm@0.5m
Operating Distance	0.5 m
Optics	glass lens AR coated
Laser technology	Single Mode Diode
Protection Lens	yes
Focus	fixed (500mm)
Verticality	< ± 0.5 °

### Electrical Parameters

Potential of Housing	isolated
Power Supply	LFNT-6-C
Stripping of cable cover	50 mm

### Mechanical Parameters

Size	Ø16x45 mm
Material	aluminium
Cable length	1,000 mm
Wire type	22AWG, black, 3,6mm
Output Aperture	6.8 mm
Housing Color	black
Weight	45 g
Stripping of wire	5 mm

(\*) Over the complete operating temperature range

### Features



- Compact size
- Image processing
- Low power consumption
- Uniform line thickness
- Laser Class 1

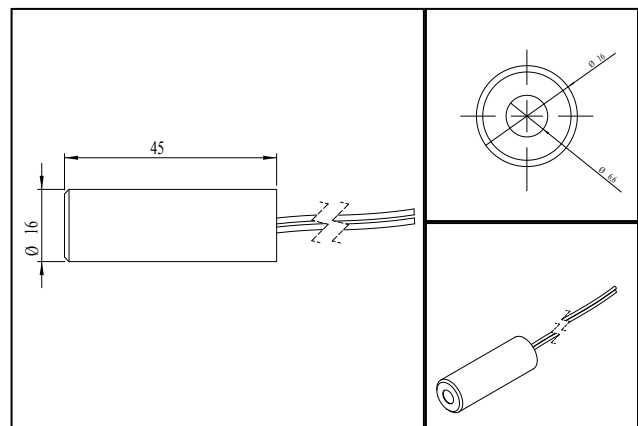
### Picture



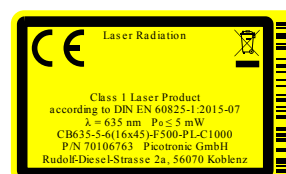
### Cable color

Ground		black	GND
positive		red	4.5 - 6.6, typ 6 V DC

### Drawing



### Safety Label



### Valid Revision

1 | 21-APR-2021