

Cross laser, red, 635 nm, 15°, 5 mW

CB635-5-5(16x45)15-F200
Order Number: 70110463

Main Parameters (*)	min	typ	max	Unit
Wavelength		635		nm
Optical Output Power		5		mW
Operating Voltage	4.5	5	5.5	V DC
Operating Current	25	50	75	mA
Operating Temperature	-20		50	°C
Storage Temperature	-40		80	°C

Main Data

Warranty 1 years

Technical Parameters

Lifetime > 10,000 h
RoHS yes

Optical Parameters

Beam Shape	Cross
Laser Class	2M
Divergence	B - 0.3 mrad
Fan Angle	15°
Line Thickness	<0.7mm@0.2m
Operating Distance	0.2m
Optics	glass lens AR coated
Laser technology	Single Mode Diode
Focus	fixed (200mm)
Verticality	< ±0.5°

Electrical Parameters

Potential of Housing isolated

Mechanical Parameters

Size	Ø16x45 mm
Material	aluminium
Cable length	100 mm
Wire type	26AWG, 0,14mm ²
Output Aperture	7 mm
Housing Color	black
Weight	23 g
Stripping of wire	5 mm

(*) Over the complete operating temperature range

Features



- Operating Voltage 5 V DC
- Isolated housing
- Small fan angle
- Image processing

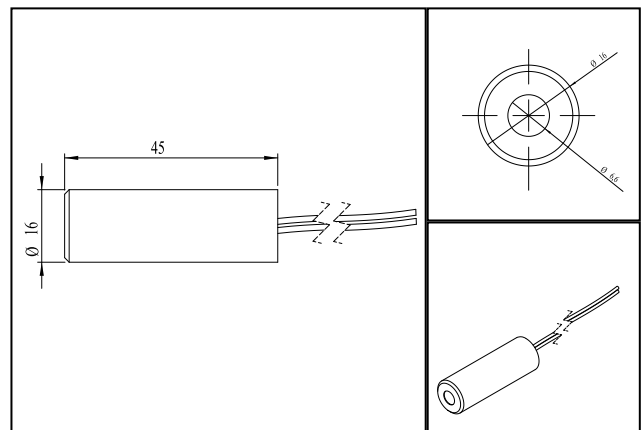
Picture



Cable color

Ground		black	GND
Positive		red	4.5 - 5.5, typ 5 V DC

Drawing



Safety Label



Valid Revision

21 | 17-JUL-2015