

Cross laser, red, 635 nm, 90°, 5 mW

CB635-5-5(16x45)
Order Number: 70109016

Main Parameters (*)	min	typ	max	Unit
Wavelength		635		nm
Optical Output Power		5		mW
Operating Voltage	4.5	5	5.5	V DC
Operating Current	20	35	55	mA
Operating Temperature	-20		50	°C
Storage Temperature	-40		80	°C

Main Data

Warranty 1 years

Technical Parameters

Lifetime > 10,000 h
RoHS yes

Optical Parameters

Beam Shape	Cross
Laser Class	1
Divergence	B - 0.3 mrad
Fan Angle	90°
Line Thickness	<1.5mm@3m
Operating Distance	3 m
Optics	glass lens AR coated
Laser technology	Single Mode Diode
Focus	fixed (3000mm)
Verticality	< ±0.5°

Electrical Parameters

Potential of Housing	isolated
Power Supply	Power Supply with stripped/tinned wires, Output: 5V DC, Input: 100-240V AC, 50-60Hz, Output Power: 3W max.

Mechanical Parameters

Size	Ø16x45 mm
Material	aluminium
Cable length	100 mm
Wire type	26AWG, 0,14mm ²
Output Aperture	7 mm
Housing Color	black
Weight	23.5 g
Stripping of wire	5 mm

(*) Over the complete operating temperature range

Features



- Operating Voltage 5V DC
- Fan angle 90°
- Laser Class 1
- Compact size
- Uniform line thickness

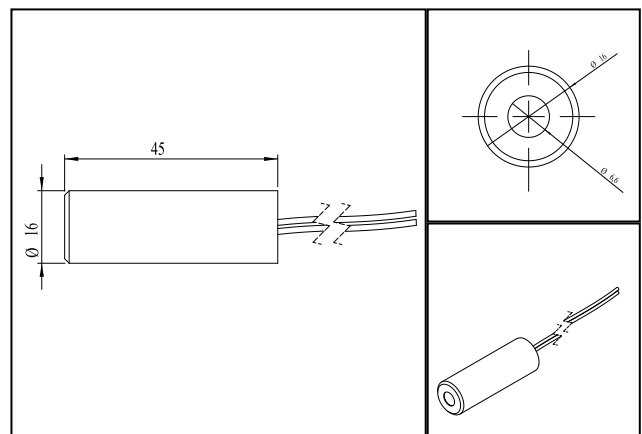
Picture



Cable color

Ground		black	GND
Positive		red	4.5 - 5.5, typ 5 V DC

Drawing



Safety Label



Valid Revision

8 | 09-JUL-2020