

Cross laser, red, 635nm, 90°, 2mW

CB635-2-5(16x45)-PL

Order Number: 70110456

Main Parameters (*)	min	typ	max	Unit
Wavelength		635		nm
Optical Output Power		2		mW
Operating Voltage	4.5	5	5.5	V DC
Operating Current	20	35	55	mA
Operating Temperature	-20		50	°C
Storage Temperature	-40		80	°C

Technical Parameters

Lifetime	>5000h
RoHS	yes

Optical Parameters

Beam Shape	Cross
Laser Class	1
Divergence	B - 0.3mrad
Fan Angle	90°
Line Thickness	<1mm@2m
Operating Distance	2m
Optics	glass lens AR coated
Laser technology	Single Mode Diode
Focus	fixed (2000mm)
Verticality	< ±0.5°

Electrical Parameters

Potential of Housing	isolated
Power Supply	LFNT-5

Mechanical Parameters

Size	Ø16x45mm
Material	aluminium
Cable length	100mm
Wire type	26AWG, 0,14mm ²
Output Aperture	7mm
Housing Color	black
Weight	24g
Stripping of wire	5mm

(*) Over the complete operating temperature range

Features





- Operating Voltage 5V DC
- Laser Class 1
- For medical devices
- Image processing
- Uniform line thickness

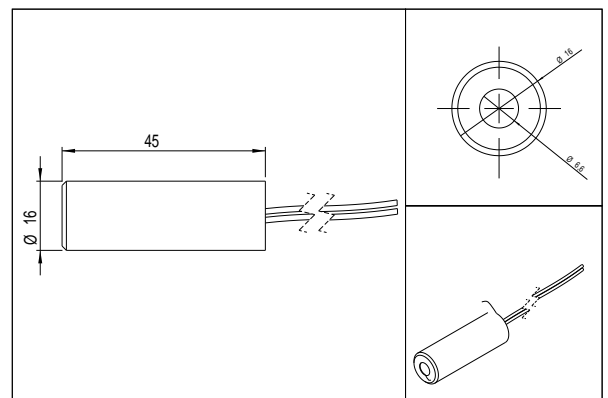
Picture



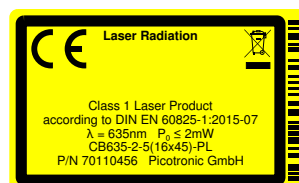
Cable Colors

Ground		black	GND
Positive		red	4.5 - 5.5, typ 5V DC

Drawing



Safety Label



Revision

REV 16 | 19-MAY-2016