

Cross laser, red, 635 nm, 5 °, 2 mW

CB635-2-5(16x45)5DEG
Order Number: 70116588

Main Parameters (*)	min	typ	max	Unit
Wavelength		635		nm
Optical Output Power		2		mW
Operating Voltage		5		V DC
Operating Current	20	35	50	mA
Operating Temperature	-20		50	°C
Storage Temperature	-40		80	°C

Main Data

Warranty 1 years

Technical Parameters

Lifetime > 5,000 h
RoHS yes

Optical Parameters

Beam Shape	Cross
Laser Class	1
Divergence	B - 0.3 mrad
Fan Angle	5 °
Line Thickness	<0.3mm@0.075m
Operating Distance	0.075 m
Optics	glass lens AR coated
Laser technology	diode
Protection Lens	no
Focus	fixed (75mm)
Verticality	< ± 0.5 °

Electrical Parameters

Potential of Housing isolated
Power Supply LFNT-5

Mechanical Parameters

Size	Ø16x45 mm
Material	aluminium
Cable length	100 mm
Wire type	26AWG, 0,14mm ²
Output Aperture	6.8 mm
Weight	23.5 g

(*) Over the complete operating temperature range

Features





- Operating Voltage 5 V DC
- Laser Class 1
- Fan angle 5 °
- Uniform line thickness
- Fixed focus

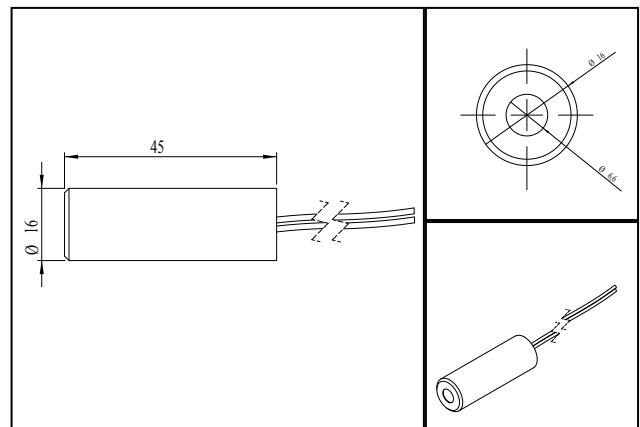
Picture



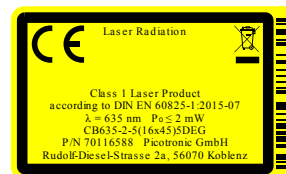
Cable color

Ground  black GND
positive  red 5 V DC

Drawing



Safety Label



Valid Revision

6 | 08-JAN-2015