

## Cross laser, red, 635 nm, 10°, 2 mW

CB635-2-5(16x45)10DEG-F110  
Order Number: 70117264

Main Parameters (*)	min	typ	max	Unit
Wavelength		635		nm
Optical Output Power		2		mW
Operating Voltage	4.5	5	5.5	V DC
Operating Current	15	28	50	mA
Operating Temperature	-20		50	°C
Storage Temperature	-40		80	°C

### Main Data

Warranty 1 years

### Technical Parameters

Lifetime >5,000 h  
RoHS yes

### Optical Parameters

Beam Shape	Cross
Laser Class	1
Divergence	B - 0.3 mrad
Fan Angle	10°
Line Thickness	<0.3mm@0.11m
Operating Distance	0.11 m
Optics	glass lens AR coated
Laser technology	Single Mode Diode
Protection Lens	no
Focus	fixed (110mm)
Verticality	< ±0.5°

### Electrical Parameters

Potential of Housing	isolated
Power Supply	Power Supply with stripped/tinned wires, Output: 5V DC, Input: 100-240V AC, 50-60Hz, Output Power: 3W max.

### Mechanical Parameters

Size	Ø16x45 mm
Material	aluminium
Cable length	100 mm
Wire type	26AWG, 0,14mm <sup>2</sup>
Output Aperture	6.8 mm
Housing Color	black
Weight	23.5 g
Stripping of wire	5 mm

(\*) Over the complete operating temperature range

### Features



- Operating Voltage 5V DC
- Laser Class 1
- Fan angle 10°
- Uniform line thickness
- Fixed focus

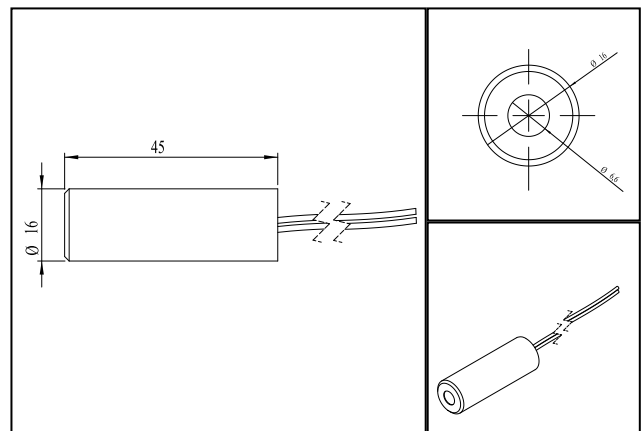
### Picture



### Cable color

Ground		black	GND
Positive		red	4.5 - 5.5, typ 5 V DC

### Drawing



### Safety Label



### Valid Revision

6 | 20-OCT-2016