

Cross laser, red, 635nm, 30°, 2mW

CB635-2-3(16x45)30-F100-PL

Order Number: 70131093

Main Parameters (*)	min	typ	max	Unit
Wavelength		635		nm
Optical Output Power		2		mW
Operating Voltage	2.7	3	3.3	V DC
Operating Current	20	35	55	mA
Operating Temperature	-20		50	°C
Storage Temperature	-40		80	°C

Technical Parameters

Lifetime	>5000h
RoHS	yes

Optical Parameters

Beam Shape	Cross
Laser Class	1
Divergence	B - 0.3mrad
Fan Angle	30°
Line Thickness	<0.5mm@0.1m
Operating Distance	0.1m
Optics	glass lens AR coated
Laser technology	Single Mode Diode
Protection Lens	yes
Focus	fixed (100mm)
Verticality	< ±0.5°

Electrical Parameters

Potential of Housing	isolated
Power Supply	LFNT-3

Mechanical Parameters

Size	Ø16x45mm
Material	aluminium
Cable length	100mm
Wire type	26AWG, 0,14mm ²
Output Aperture	6.8mm
Housing Color	black
Weight	24g
Stripping of wire	5mm

(*) Over the complete operating temperature range

Features




- Image processing
- Laser Class 1
- Uniform line thickness
- Compact size
- Protection lens

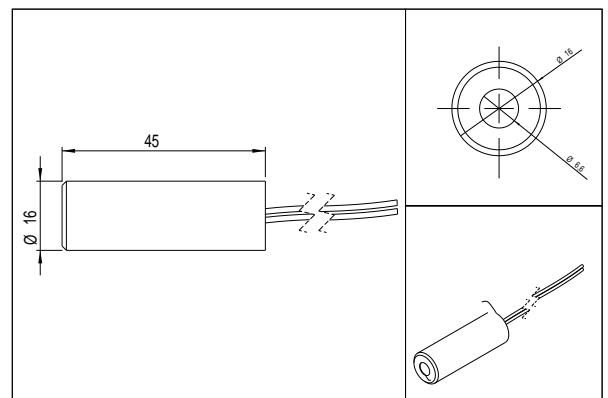
Picture



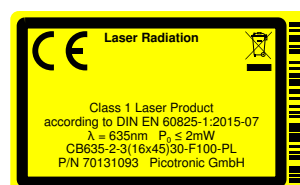
Cable Colors

Ground		black	GND
Positive		red	2.7 - 3.3, typ 3V DC

Drawing



Safety Label



Revision

| 11-FEB-2019