

## Cross laser, red, 635nm, 90°, 2mW

CB635-2-3(16x45)

Order Number: 70103106

Main Parameters (*)	min	typ	max	Unit
Wavelength		635		nm
Optical Output Power		2		mW
Operating Voltage	2.7	3	3.3	V DC
Operating Current	15	29	50	mA
Operating Temperature	-20		50	°C
Storage Temperature	-40		80	°C

### Technical Parameters

Lifetime	>5000h
RoHS	yes

### Optical Parameters

Beam Shape	Cross
Laser Class	1
Divergence	B - 0.3mrad
Fan Angle	90°
Line Thickness	<1.5mm@2m
Operating Distance	2m
Optics	glass lens AR coated
Laser technology	Single Mode Diode
Focus	fixed (2000mm)
Verticality	< ±0.5°

### Electrical Parameters

Potential of Housing	isolated
Power Supply	LFNT-3

### Mechanical Parameters

Size	Ø16x45mm
Material	aluminium
Cable length	100mm
Wire type	Belden, Typ 1007, 26AWG
Output Aperture	6.8mm
Housing Color	black
Weight	23.5g
Stripping of wire	5mm

(\*) Over the complete operating temperature range

### Features





- Low power consumption
- Operating Voltage 3V DC
- Compact size
- Laser Class 1
- Protection lens

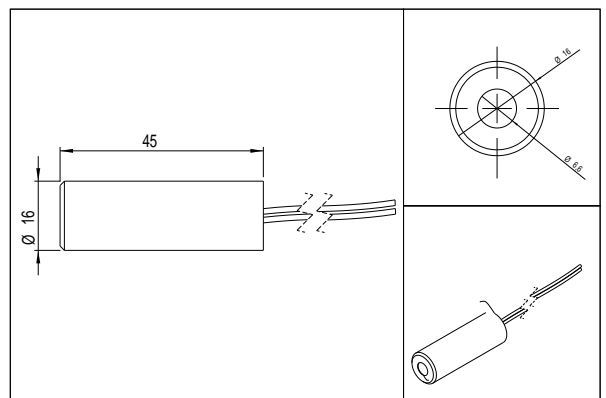
### Picture



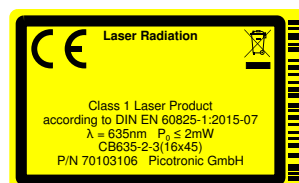
### Cable Colors

Ground		black	GND
Positive		red	2.7 - 3.3, typ 3V DC

### Drawing



### Safety Label



### Revision

REV 21 | 22-MAR-2017