

Cross laser, red, 635 nm, 90°, 2 mW

CB635-2-3(16x45)-F500-PL
Order Number: 70106428

Main Parameters (*)	min	typ	max	Unit
Wavelength		635		nm
Optical Output Power		2		mW
Operating Voltage	2.7	3	3.3	V DC
Operating Current	15	30	50	mA
Operating Temperature	-20		50	°C
Storage Temperature	-40		80	°C

Main Data

Warranty 1 years

Technical Parameters

Lifetime > 5,000 h
RoHS yes

Optical Parameters

Beam Shape	Cross
Laser Class	1
Divergence	B - 0.3 mrad
Fan Angle	90°
Line Thickness	< 0.3 mm @ 0.5 m
Operating Distance	0.5 m
Optics	glass lens AR coated
Laser technology	Single Mode Diode
Protection Lens	yes
Focus	fixed (500 mm)
Verticality	< ± 0.5°

Electrical Parameters

Potential of Housing	isolated
Power Supply	Power Supply with stripped/tinned wires, Output: 3.3V DC, Input: 100-240V AC, 50-60Hz, Output Power: 3.3W max.

Mechanical Parameters

Size	Ø16x45 mm
Material	aluminium
Cable length	100 mm
Wire type	26AWG, 0,14mm ²
Output Aperture	6.8 mm
Housing Color	black
Weight	23.5 g
Stripping of wire	5 mm

(*) Over the complete operating temperature range

Features



- Operating Voltage 3V DC
- Laser Class 1
- Uniform line thickness
- Fixed focus
- Glas lenses anti reflex coated

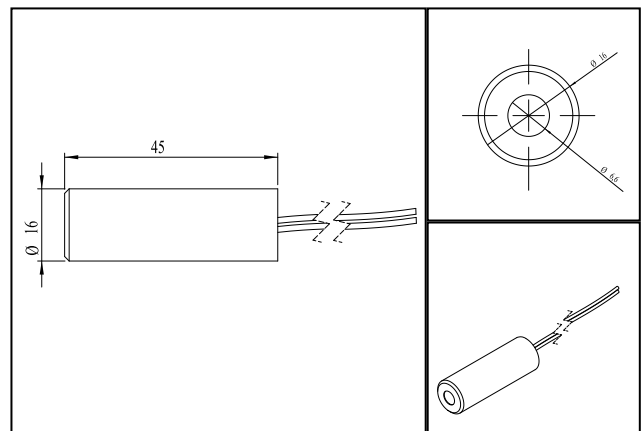
Picture



Cable color

Ground		black	GND
Positive		red	2.7 - 3.3, typ 3 V DC

Drawing



Safety Label



Valid Revision

6 | 23-APR-2019