

Cross laser, red, 635 nm, 90°, 2 mW

CB635-2-3(16x45)-F250-PL
Order Number: 70148893

| Main Parameters (*) | min | typ | max | Unit |
|-----------------------|-----|-----|-----|------|
| Wavelength | | 635 | | nm |
| Optical Output Power | | 2 | | mW |
| Operating Voltage | 2.7 | 3 | 3.3 | V DC |
| Operating Current | 15 | 30 | 50 | mA |
| Operating Temperature | -20 | | 50 | °C |
| Storage Temperature | -40 | | 80 | °C |

Main Data

Warranty 1 years

Technical Parameters

Lifetime > 5,000 h
RoHS yes

Optical Parameters

| | |
|--------------------|----------------------|
| Beam Shape | Cross |
| Laser Class | 1 |
| Divergence | B - 0.3 mrad |
| Fan Angle | 90° |
| Line Thickness | < 0.3 mm @ 0.25 m |
| Operating Distance | 0.25 m |
| Optics | glass lens AR coated |
| Laser technology | Single Mode Diode |
| Protection Lens | yes |
| Focus | fixed (250 mm) |
| Verticality | < ± 0.5° |

Electrical Parameters

| | |
|----------------------|--|
| Potential of Housing | isolated |
| Power Supply | Power Supply with stripped/tinned wires, Output: 3.3V DC, Input: 100-240V AC, 50-60Hz, Output Power: 3.3W max. |

Mechanical Parameters

| | |
|-------------------|----------------------------|
| Size | Ø16x45 mm |
| Material | aluminium |
| Cable length | 100 mm |
| Wire type | 26AWG, 0,14mm ² |
| Output Aperture | 6.8 mm |
| Housing Color | black |
| Weight | 23.5 g |
| Stripping of wire | 5 mm |

(*) Over the complete operating temperature range

Features



- Operating Voltage 3V DC
- Laser Class 1
- Uniform line thickness
- Fixed focus
- Glas lenses anti reflex coated

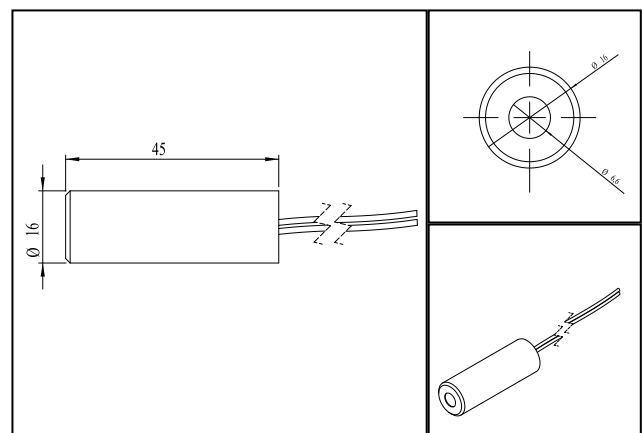
Picture



Cable color

| | | | |
|----------|--|-------|-----------------------|
| Ground |  | black | GND |
| Positive |  | red | 2.7 - 3.3, typ 3 V DC |

Drawing



Safety Label



Valid Revision

| 26-AUG-2020