

Cross laser, green, 532 nm, 90 °, 10 mW

CB532-10-3-F-S(22x130)90DEG
Order Number: 70109825

Main Parameters (*)	min	typ	max	Unit
Wavelength		532		nm
Optical Output Power		10		mW
Operating Voltage	2.7	3	3.3	V DC
Operating Current	150	300	450	mA
Operating Temperature	15		30	°C
Storage Temperature	-40		80	°C

Main Data

Warranty 1 years

Technical Parameters

Lifetime > 5,000 h
RoHS yes

Optical Parameters

Beam Shape	Cross
Laser Class	1
Divergence	B - 0.3 mrad
Fan Angle	90 °
Operating Distance	7 m
Optics	glass lens AR coated
Beam Mode	TEM00
Laser technology	YVO4+KTP
Focus	adjustable
Warm up time	< 15 min
Verticality	< ± 0.5 °

Electrical Parameters

Potential of Housing	VDD(+)
Battery	CR123A Lithium Battery, 3V 1400mAh
Battery count	1

Mechanical Parameters

Size	Ø22x130 mm
Material	aluminium
Output Aperture	5 mm
Weight	92.5 g

(*) Over the complete operating temperature range

Features

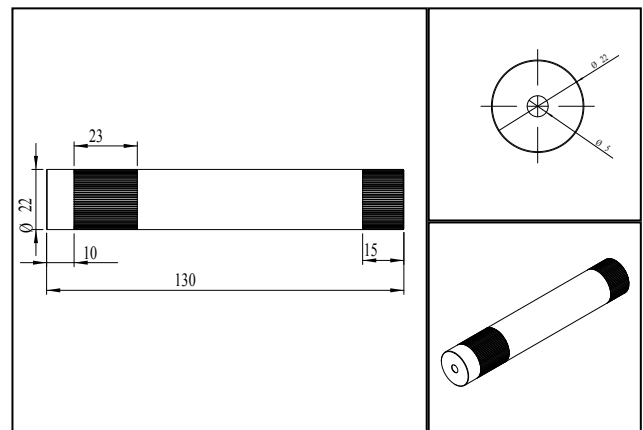


- Operating Voltage 3 V DC
- Laser Class 1
- Adjustable focus
- With battery
- Protection lens

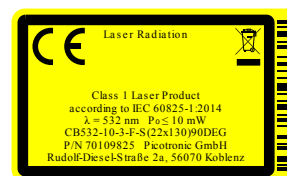
Picture



Drawing



Safety Label



Valid Revision

2 | 24-OCT-2024