

## Cross laser, green, 532 nm, 90 °, 5 mW

CA532-5-3(20x80)  
Order Number: 70100273

Main Parameters (*)	min	typ	max	Unit
Wavelength		532		nm
Optical Output Power		5		mW
Operating Voltage	2.7	3	3.3	V DC
Operating Current	50	224	400	mA
Operating Temperature	15		30	°C
Storage Temperature	-40		80	°C

### Main Data

Warranty 1 years

### Technical Parameters

Lifetime > 5,000 h  
RoHS yes

### Optical Parameters

Beam Shape	Cross
Laser Class	1
Divergence	0.2 mrad
Fan Angle	90 °
Line Thickness	<1.5mm@3m
Operating Distance	3 m
Optics	glass lens AR coated
Beam Mode	TEM00
Laser technology	Solid State (YVO4+KTP)
Focus	fixed (3000mm)
Warm up time	< 15 min
Verticality	< ± 0.5 °

### Electrical Parameters

Potential of Housing isolated  
Power Supply LFNT-3

### Mechanical Parameters

Size	Ø20x80 mm
Material	aluminium
Cable length	100 mm
Wire type	26AWG, 0,14mm <sup>2</sup>
Output Aperture	5 mm
Housing Color	black
Weight	62 g
Stripping of wire	5 mm

(\*) Over the complete operating temperature range

### Features



- Operating Voltage 3 V DC
- Laser Class 1
- Fan angle 90 °
- Uniform line thickness
- Fixed focus

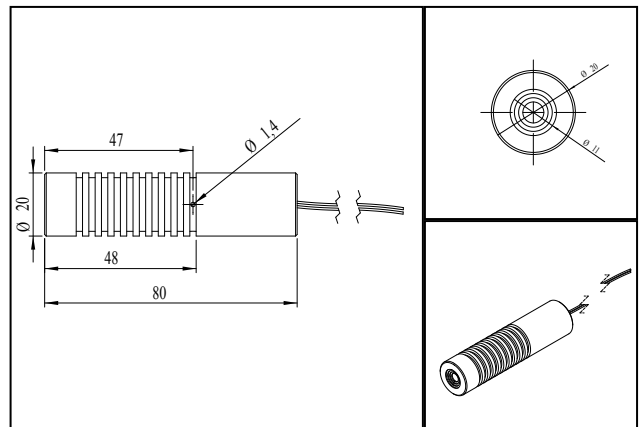
### Picture



### Cable color

Ground  blue GND  
positive  red 2.7 - 3.3, typ 3 V DC

### Drawing



### Safety Label



### Valid Revision

7 | 22-MAR-2022