

Cross laser, green, 532 nm, 90°, 5 mW

CA532-5-24(20x80)-C3000
Order Number: 70124040

Main Parameters (*)	min	typ	max	Unit
Wavelength		532		nm
Optical Output Power		5		mW
Operating Voltage	21.6	24	26.4	V DC
Operating Current	10	20	35	mA
Operating Temperature	15		30	°C
Storage Temperature	-40		80	°C

Main Data

Warranty 1 years

Technical Parameters

Lifetime > 5,000 h
RoHS yes

Optical Parameters

Beam Shape	Cross
Laser Class	1
Divergence	0.2 mrad
Fan Angle	90°
Line Thickness	< 1.5 mm @ 3 m
Operating Distance	3 m
Optics	glass lens AR coated
Beam Mode	TEM00
Laser technology	Solid State (YVO4+KTP)
Focus	fixed (3000 mm)
Warm up time	< 15 min
Verticality	< ± 0.5°

Electrical Parameters

Potential of Housing	isolated
Stripping of cable cover	50 mm

Mechanical Parameters

Size	Ø20x80 mm
Material	aluminium
Cable length	3,000 mm
Wire type	22AWG, black, 3,6 mm
Output Aperture	5 mm
Housing Color	black
Weight	62 g
Stripping of wire	5 mm

(*) Over the complete operating temperature range


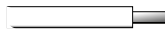
Features

- Operating Voltage 24 V DC
- Laser Class 1
- Fan angle 90°
- Uniform line thickness
- Fixed focus

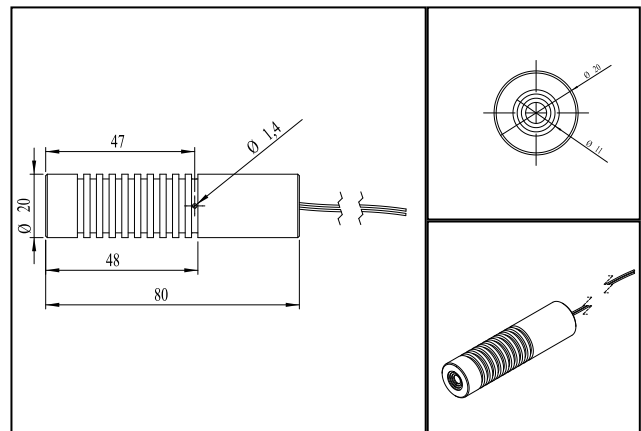
Picture



Cable color

Ground		black	GND
Positive		white	21.6 - 26.4, typ 24 V DC

Drawing



Safety Label



Valid Revision

| 27-APR-2023