

Cross laser, green, 532 nm, 90°, 0.4 mW

CA532-0.4-3(20x80)
Order Number: 70104394

Main Parameters (*)	min	typ	max	Unit
Wavelength		532		nm
Optical Output Power		0.4		mW
Operating Voltage	2.7	3	3.3	V DC
Operating Current	100	200	300	mA
Operating Temperature	15		30	°C
Storage Temperature	-40		80	°C

Main Data

Warranty 1 years

Technical Parameters

Lifetime > 5,000 h
RoHS yes

Optical Parameters

Beam Shape	Cross
Laser Class	1
Divergence	A - 0.1 mrad
Fan Angle	90°
Line Thickness	<1mm@2m
Operating Distance	2 m
Optics	glass lens AR coated
Beam Mode	TEM00
Laser technology	Solid State (YVO4+KTP)
Stability	+/- 10% @ 15-30°C
Focus	fixed (2000mm)
Warm up time	< 15 min
Verticality	< ± 0.5°

Electrical Parameters

Potential of Housing	isolated
Power Supply	Power Supply with stripped/tinned wires, Output: 3.3V DC, Input: 100-240V AC, 50-60Hz, Output Power: 3.3W max.

Mechanical Parameters

Size	Ø20x80 mm
Material	aluminium
Cable length	100 mm
Wire type	26AWG, 0,14mm ²
Output Aperture	5 mm
Housing Color	black
Weight	56 g
Stripping of wire	5 mm

(*) Over the complete operating temperature range

Features



- Fan angle 90°
- For medical devices
- Laser Class 1
- Operating Voltage 3 V DC
- Compact size

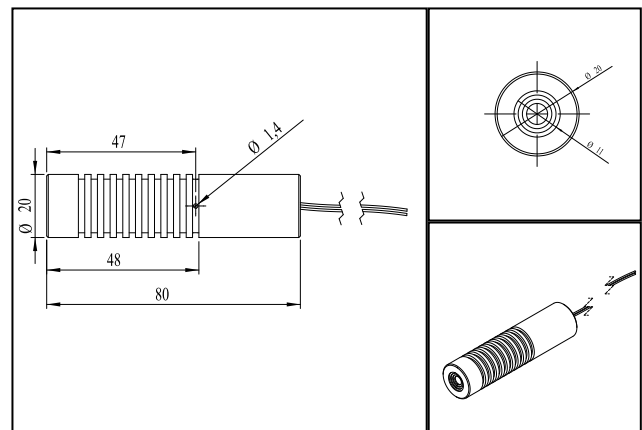
Picture



Cable color

Ground		black	GND
Positive		red	2.7 - 3.3, typ 3 V DC

Drawing



Safety Label



Valid Revision

1 | 19-MAY-2022