

Dot laser, red, 650 nm, 3 mW

MB650-3-5(16x50)
Order Number: 70100655

Main Parameters (*)	min	typ	max	Unit
Wavelength		650		nm
Optical Output Power		3		mW
Operating Voltage	4.5	5	5.5	V DC
Operating Current	15	25	45	mA
Operating Temperature	-20		50	°C
Storage Temperature	-40		80	°C

Technical Parameters

Lifetime	>5000 h
RoHS	yes

Optical Parameters

Beam Shape	Dot
Laser Class	3R
Divergence	B - 0.3 mrad
Size of Laserdot	adjustable
Operating Distance	40 m
Optics	glass lens AR coated
Laser technology	diode
Focus	adjustable

Electrical Parameters

Potential of Housing	isolated
Max. Mod. Frequency	500 Kilohertz
Power Supply	LFNT-5

Mechanical Parameters

Size	Ø16x50 mm
Material	aluminium
Cable length	100 mm
Wire type	26AWG, 0,14mm ²
Output Aperture	6.8 mm
Housing Color	black
Weight	23.5 g

(*) Over the complete operating temperature range

Features






- Operating Voltage 5 V DC
- Laser Class 3R
- Glas lenses anti reflex coated
- Adjustable focus
- Modulated

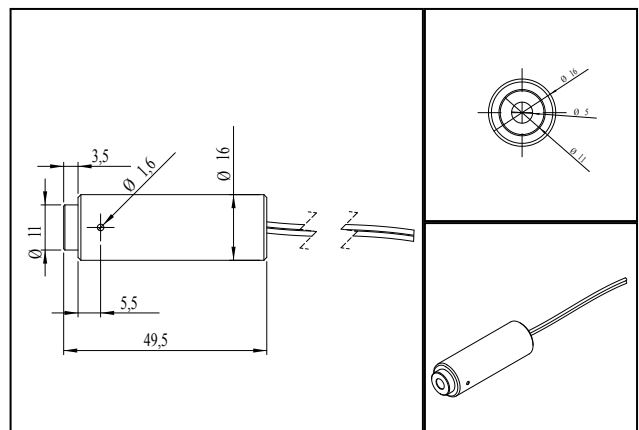
Picture



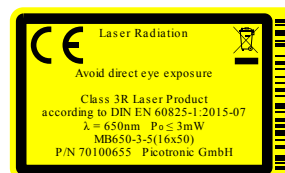
Cable color

Ground		black	GND
Positive		red	4.5 - 5.5, typ 5 V DC
Modulation		yellow	500 Kilohertz

Drawing



safety label



Valid Revision

REV 0 | 18-JUL-2018