

Line laser, red, 650 nm, 45°, 2.5 mW

LI650-2.5-3(8x26)45
Order Number: 70102239

Main Parameters (*)	min	typ	max	Unit
Wavelength		650		nm
Optical Output Power		2.5		mW
Operating Voltage	2.7	3	3.3	V DC
Operating Current	15	30	48	mA
Operating Temperature	-20		50	°C
Storage Temperature	-40		80	°C

Main Data

Warranty 1 years

Technical Parameters

Lifetime > 5,000 h
RoHS yes

Optical Parameters

Beam Shape Line
Laser Class 1
Divergence 1 - 1.5 mrad
Fan Angle 45°
Line Thickness <1.5mm@2m
Operating Distance 2 m
Optics glass lens AR coated
Laser technology Single Mode Diode
Focus fixed (2000mm)

Electrical Parameters

Potential of Housing isolated
Power Supply Power Supply with stripped/tinned wires, Output: 3.3V DC, Input: 100-240V AC, 50-60Hz, Output Power: 3.3W max.

Mechanical Parameters

Size Ø8x26 mm
Material aluminium
Cable length 100 mm
Wire type 26AWG, 0,14mm²
Output Aperture 3 mm
Housing Color black
Weight 3.5 g
Stripping of wire 5 mm

(*) Over the complete operating temperature range

Features



- Operating Voltage 3V DC
- Laser Class 1
- Fan angle 45°
- Compact size

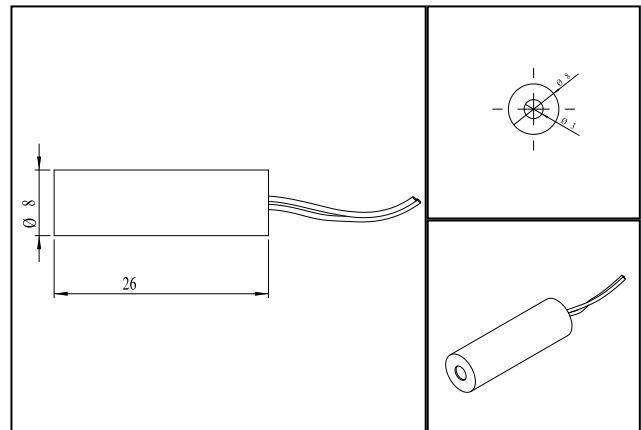
Picture



Cable color

Ground  green GND
Positive  red 2.7 - 3.3, typ 3 V DC

Drawing



Safety Label



Valid Revision

4 | 08-FEB-2024