

Line laser, red, 650 nm, 90°, 2.5 mW

LI650-2.5-3(8x26)
Order Number: 70110395

Main Parameters (*)	min	typ	max	Unit
Wavelength		650		nm
Optical Output Power		2.5		mW
Operating Voltage	2.7	3	3.3	V DC
Operating Current	25	35	45	mA
Operating Temperature	-20		50	°C
Storage Temperature	-40		80	°C

Main Data

Warranty 1 years

Technical Parameters

Lifetime >5,000 h
RoHS yes

Optical Parameters

Beam Shape Line
Laser Class 1
Divergence 1 - 1.5 mrad
Fan Angle 90°
Line Thickness <1.5mm@1.5m
Operating Distance 1.5 m
Optics glass lens AR coated
Laser technology diode
Focus fixed (1500mm)

Electrical Parameters

Potential of Housing isolated

Mechanical Parameters

Size Ø8x26 mm
Material aluminium
Cable length 100 mm
Output Aperture 5.5 mm
Housing Color black
Weight 3.5 g

(*) Over the complete operating temperature range

Features



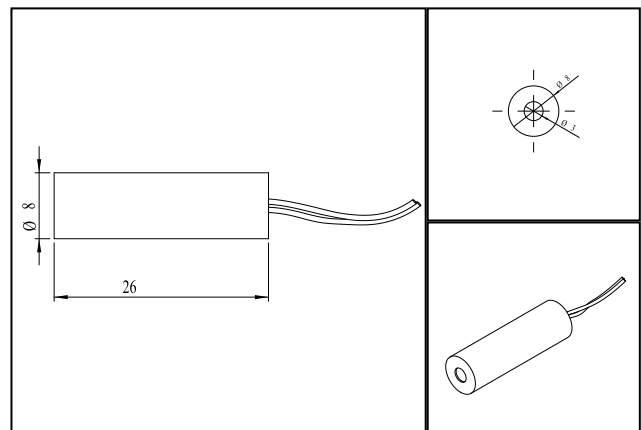
Picture



Cable color

Ground		blue	GND
Positive		red	2.7 - 3.3, typ 3 V DC

Drawing



Safety Label



Valid Revision

6 | 11-OCT-2023