

Line laser, red, 635 nm, 4°, 10 mW

LFL635-10-3(9x25)4DEG
Order Number: 70109955

Main Parameters (*)	min	typ	max	Unit
Wavelength		635		nm
Optical Diode Power		10		mW
Operating Voltage	2.7	3	3.3	V DC
Operating Current	20	50	60	mA
Operating Temperature	-20		40	°C
Storage Temperature	-40		80	°C

Technical Parameters

Lifetime	>3000 h
RoHS	yes

Optical Parameters

Beam Shape	Line
Laser Class	3R
Divergence	H - 1.0 mrad
Fan Angle	4°
Line Thickness	<2mm@3m
Operating Distance	3 m
Optics	acryl lense
Laser technology	diode
Protection Lens	yes
Focus	fixed (3000mm)

Electrical Parameters

Potential of Housing	VDD(+)
Power Supply	LFNT-3

Mechanical Parameters

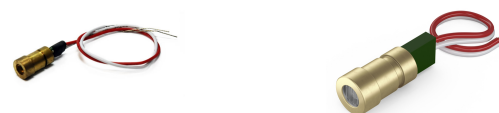
Size	Ø9x25 mm
Material	Brass
Cable length	100 mm
Output Aperture	5 mm
Weight	4.5 g

(*) Over the complete operating temperature range

Features

- Operating Voltage 3 V DC
- Small laser head
- Protection lens
- Small fan angle
- Laser Class 3R

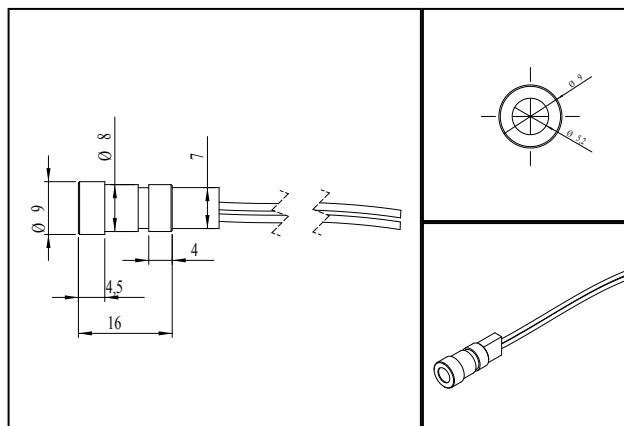
Picture



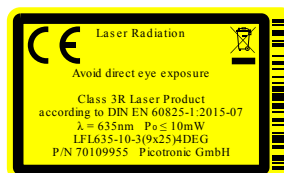
Cable color

Ground		white	GND
Positive		red	2.7 - 3.3, typ 3 V DC

Drawing



safety label



Valid Revision

REV 13 | 22-JUL-2019

Laserfuchs is a registered trademark of the Picotronic GmbH

Picotronic GmbH Rudolf-Diesel-Str. 2a 56070 Koblenz Germany	Geschäftsführende Gesellschafter: David Heckner, Thiemo Komischke	FON +49(0)261-983 497-50 FAX +49(0)261-983 497-55 www.laserfuchs.de info@laserfuchs.de	Sparkasse Koblenz BLZ 570 501 20, KTO 211 003 BIC / IBAN : MALADE51KOB DE41 5705 0120 0000 2110 03	Postbank Stuttgart BLZ 600 100 70, KTO 770 787 04 BIC / IBAN : PBNKDEFF DE41 6001 0070 0077 0787 04	Steuernummer: 22/651/0291/4 Ust-Idnr. DE814473445 Amtsgericht Koblenz HRB 20026 WEEE-Reg.-Nr. DE85231360
-----------------------------------------------------------------------------	----------------------------------------------------------------------------	-------------------------------------------------------------------------------------------------	-------------------------------------------------------------------------------------------------------------	--------------------------------------------------------------------------------------------------------------	-------------------------------------------------------------------------------------------------------------------