

## Dot laser, red, 650 nm, 1 mW

LFD650-1-4.5(15x68)  
Order Number: 70105643

Main Parameters (*)	min	typ	max	Unit
Wavelength		650		nm
Optical Diode Power		1		mW
Operating Voltage	3		4.5	V DC
Operating Current	10	20	30	mA
Operating Temperature	-20		40	°C
Storage Temperature	-40		80	°C

### Stammdaten

Warranty 1 Jahre

### Technical Parameters

Lifetime >3000 h  
RoHS yes

### Optical Parameters

Beam Shape	Dot
Laser Class	2
Divergence	H - 1.0 mrad
Beam Diameter	3 mm
Size of Laserdot	<4..6mm@5m
Operating Distance	10 m
Optics	acryl lense
Laser technology	diode
Focus	collimated

### Electrical Parameters

Potential of Housing VDD(+)

### Mechanical Parameters

Size	Ø15x68 mm
Material	aluminium
Output Aperture	3 mm
Housing Color	black
Weight	27 g

(\*) Over the complete operating temperature range

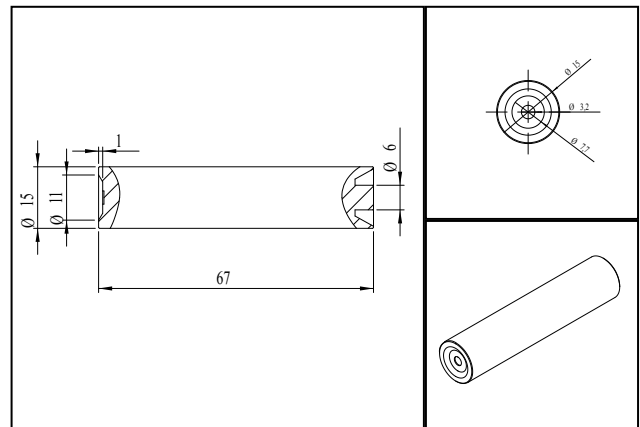
## Features

- Compact size
- Laser Class 2
- Low cost
- Low power consumption
- With battery

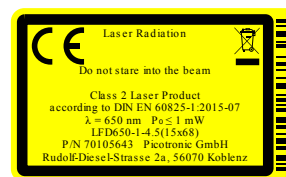
## Picture



## Drawing



## safety label



## Valid Revision

REV 15 | 21-JUL-2020