

Dot laser, red, 650 nm, 1 mW

LFD650-1-12(9x20)
Order Number: 70103984

- Operating Voltage 3-12V DC
- Low cost
- Laser Class 2
- Compact size
- Fixed focus

Main Parameters (*)	min	typ	max	Unit
Wavelength		650		nm
Optical Diode Power	0.5	1	1	mW
Operating Voltage	3	3	12	V DC
Operating Current	15	25	30	mA
Operating Temperature	-20		40	°C
Storage Temperature	-40		80	°C

Main Data

Warranty 1 years

Technical Parameters

Lifetime > 3,000 h
RoHS yes

Optical Parameters

Beam Shape	Dot
Laser Class	2
Divergence	H - 1.0 mrad
Beam Diameter	3 mm
Size of Laserdot	<4..5mm@5m
Operating Distance	10 m
Optics	acryl lense
Laser technology	diode
Focus	collimated

Electrical Parameters

Power Supply with stripped/tinned wires, Output: 3.3V DC, Input: 100-240V AC, 50-60Hz, Output Power: 3.3W max.

Mechanical Parameters

Size	Ø9x20 mm
Material	Brass
Cable length	100 mm
Wire type	26AWG, 0,14mm ²
Output Aperture	3 mm
Weight	6 g



(*) Over the complete operating temperature range

Features

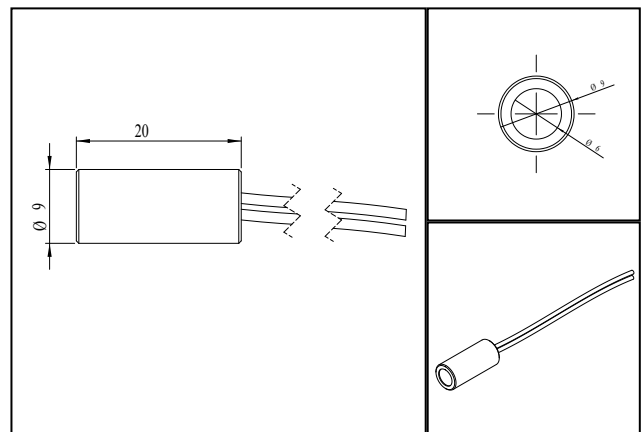
Picture



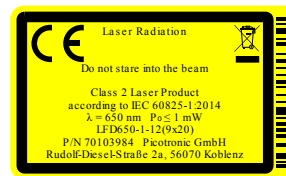
Cable color

Ground		black	GND
Positive		red	3 - 12, typ 3 V DC

Drawing



Safety Label



Valid Revision

22 | 03-JUL-2024