

## Line laser, green, 532 nm, 360°, 15 mW

LE532-15-3(25.4x50)360DEG-C1000  
Order Number: 70108347

Main Parameters (*)	min	typ	max	Unit
Wavelength		532		nm
Optical Output Power		15		mW
Operating Voltage	2.7	3	3.3	V DC
Operating Current	125	250	375	mA
Operating Temperature	15		30	°C
Storage Temperature	-40		80	°C

### Main Data

Warranty 1 years

### Technical Parameters

Lifetime > 5,000 h  
RoHS yes

### Optical Parameters

Beam Shape	Line
Laser Class	1
Divergence	E - 0.6 mrad
Fan Angle	360°
Line Thickness	<2mm@2m
Operating Distance	3 m
Optics	glass lens AR coated
Beam Mode	TEM00
Laser technology	YVO4+KTP
Focus	fixed (2000mm)
Warm up time	< 15 min

### Electrical Parameters

Potential of Housing	isolated
Power Supply	Power Supply with stripped/tinned wires, Output: 3.3V DC, Input: 100-240V AC, 50-60Hz, Output Power: 3.3W max.

### Mechanical Parameters

Size	Ø25.4x50 mm
Material	aluminium
Cable length	1,000 mm
Wire type	22AWG, black, 3,6mm
Weight	92g

(\*) Over the complete operating temperature range

## Features



- Operating Voltage 3V DC
- Laser Class 1
- Image processing
- Small laser head
- Glas lenses anti reflex coated

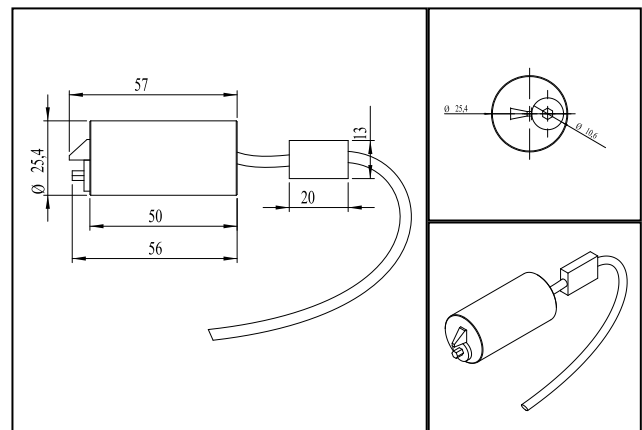
## Picture



## Cable color

Ground		black	GND
Positive		red	2.7 - 3.3, typ 3 V DC

## Drawing



## Safety Label



## Valid Revision

1 | 05-JUL-2019