

Line laser, red, 650 nm, 45 °, 5 mW

LD650-5-3(12x32)45-F400
Order Number: 70122787

Main Parameters (*)	min	typ	max	Unit
Wavelength		650		nm
Optical Output Power		5		mW
Operating Voltage	2.7	3	3.3	V DC
Operating Current	15	34	45	mA
Operating Temperature	-20		50	°C
Storage Temperature	-40		80	°C

Technical Parameters

Lifetime	>5000 h
RoHS	yes

Optical Parameters

Beam Shape	Line
Laser Class	1
Divergence	D - 0.5 mrad
Fan Angle	45 °
Line Thickness	<1mm@400mm
Operating Distance	0.4 m
Optics	glass lens AR coated
Laser technology	Single Mode Diode
Focus	fixed (400mm)

Electrical Parameters

Potential of Housing	isolated
Power Supply	LFNT-3

Mechanical Parameters

Size	Ø12x32 mm
Material	aluminium
Cable length	100 mm
Wire type	Belden, Typ 1007, 26AWG
Output Aperture	5.5 mm
Housing Color	black
Weight	17.6 g
Stripping of wire	5 mm

(*) Over the complete operating temperature range

Features



- Fan angle 45 °
- Laser Class 1
- Operating Voltage 3 V DC
- Uniform illumination
- Glas lenses anti reflex coated

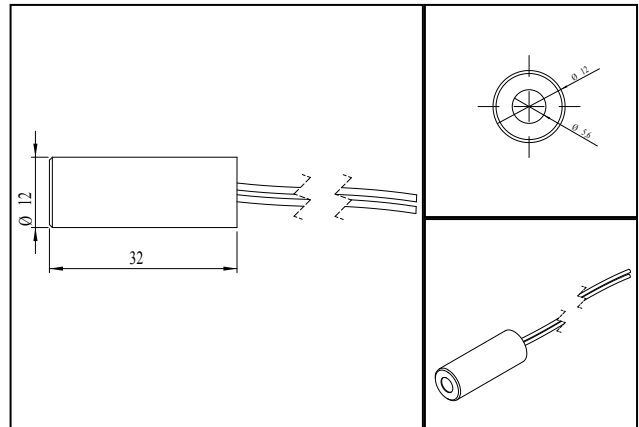
Picture



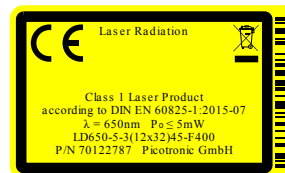
Cable color

Ground		black	GND
Positive		red	2.7 - 3.3, typ 3 V DC

Drawing



safety label



Valid Revision

| 21-JAN-2015