

Line laser, green, 532 nm, 90°, 50 mW

LD532-50-24(40x210)
Order Number: 70115482

Main Parameters (*)	min	typ	max	Unit
Wavelength		532		nm
Optical Output Power		50		mW
Operating Voltage	21.6	24	26.4	V DC
Operating Current	50	100	150	mA
Operating Temperature	15		30	°C
Storage Temperature	-40		80	°C

Main Data

Warranty 1 years

Technical Parameters

Lifetime > 10,000 h
RoHS yes

Optical Parameters

Beam Shape	Line
Laser Class	2M
Divergence	D - 0.5 mrad
Fan Angle	90°
Line Thickness	<3mm@7m
Operating Distance	30 m
Optics	glass lens AR coated
Beam Mode	TEM00
Laser technology	YVO4+KTP
Stability	+/- 20% @ 15-30°C
Focus	fixed (7.0m)
Warm up time	< 15 min

Electrical Parameters

Potential of Housing isolated

Mechanical Parameters

Size	Ø40x210 mm
Material	aluminium
Cable length	3,000 mm
Wire type	18AWG, black, 3,6mm
Output Aperture	8 mm
Weight	920 g

(*) Over the complete operating temperature range

Features

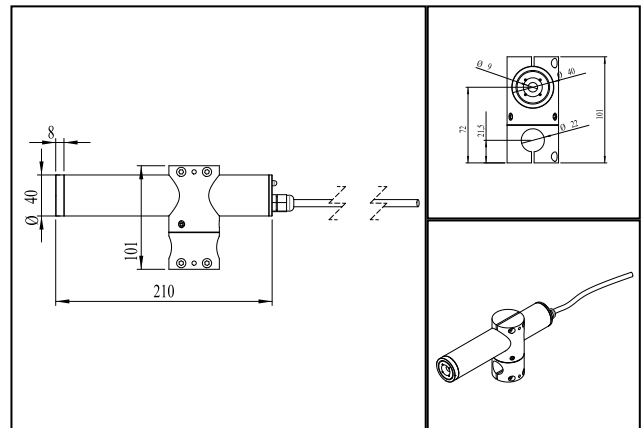


- Operating Voltage 24 V DC
- Glas lenses anti reflex coated
- Laser Class 2M
- Operating Voltage 24 V DC
- Uniform line thickness

Picture



Drawing



Safety Label



Valid Revision

7 | 01-APR-2022