

## Line laser, red, 650 nm, 90°, 5 mW

LC650-5-24-F(14x55)  
Order Number: 70112580

Main Parameters (*)	min	typ	max	Unit
Wavelength		650		nm
Optical Output Power		5		mW
Operating Voltage	21.6	24	26.4	V DC
Operating Current	5	8	30	mA
Operating Temperature	-20		50	°C
Storage Temperature	-40		80	°C

### Main Data

Warranty 1 years

### Technical Parameters

Lifetime > 5,000 h  
RoHS yes

### Optical Parameters

Beam Shape	Line
Laser Class	1
Divergence	C - 0.4 mrad
Fan Angle min	80°
Fan Angle	90°
Fan Angle max	100°
Line Thickness	adjustable
Operating Distance	3 m
Optics	glass lens AR coated
Laser technology	Single Mode Diode
Focus	adjustable

### Electrical Parameters

Potential of Housing	isolated
Power Supply	Power Supply, Output: 24V DC, Input: 100-240V AC, 50-60Hz, Output Power: 24W max.

### Mechanical Parameters

Size	Ø14x55 mm
Material	aluminium
Cable length	100 mm
Wire type	Belden, Typ 1007, 26AWG
Output Aperture	3.5 mm
Housing Color	black
Weight	18 g
Stripping of wire	5 mm

(\*) Over the complete operating temperature range



### Features



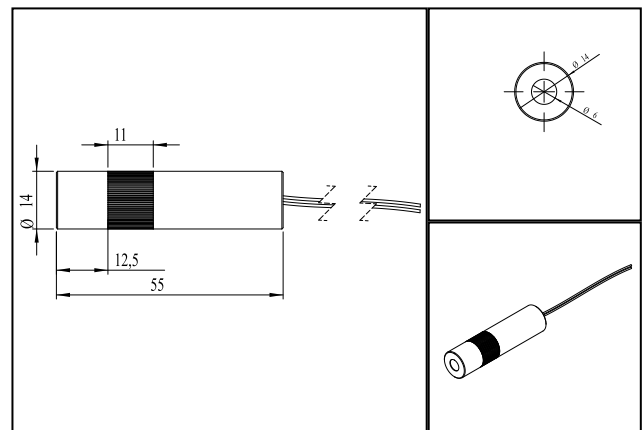
### Picture



### Cable color

Ground		black	GND
Positive		red	21.6 - 26.4, typ 24 V DC

### Drawing



### Safety Label



### Valid Revision

21 | 15-JAN-2024